



Lower Extremity  
Prosthetics  
Product Catalog

*Fillauer*®



Lower Extremity  
Prosthetics  
Product Catalog

*Fillauer*<sup>®</sup>



# Fillauer®



George Fillauer Sr.

## 1914

George Fillauer Sr., a German immigrant, opens the Red Cross Pharmacy in Chattanooga, Tennessee.



Top: Red Star Pharmacy with George Fillauer Sr. and sons George Jr. and Carlton

Bottom: Lawrence Porten and Carlton Fillauer fitting a patient

## 1920 – 1930s

Red Cross Pharmacy, now Red Star Pharmacy, expands its services and hires German “orthomeister” Lawrence Porten to provide orthotic and prosthetic devices for veterans returning from World War I.

George’s sons, George Jr. and Carlton, join the company. George Jr. becomes a pharmacist and Carlton an orthotist-prosthetist.



George Fillauer Jr. and Carlton Fillauer

## 1940s

Carlton Fillauer becomes the first staff prosthetist named to the National Research Committee on Prosthetic Devices before returning to Fillauer Drug & Surgical Supplies in 1949.



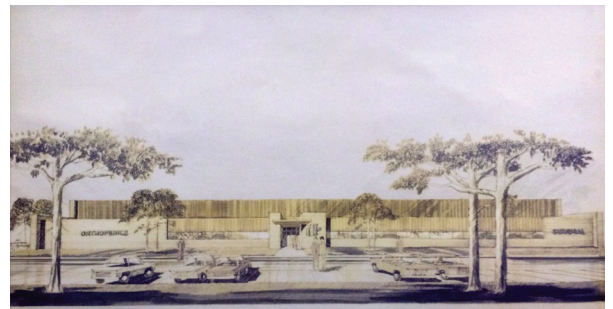
### 1950 – 1960s

Carlton Fillauer is among the first class of practitioners to be certified by the American Board for Certification in Orthotics and Prosthetics (ABC) and was a charter member of the American Academy of Orthotists and Prosthetists (AAOP). In 1955, George Sr. retires and George Jr. takes over as president.

Carlton also serves as president of ABC in 1957 – 1958 and president of AOPA in 1962 – 1963.

### 1972

Fillauer merges with pharmaceutical and surgical company Durr Drug. The merge provides Fillauer with expansion and sales growth in surgical and orthopedic supplies.



**DURR-FILLAUER MEDICAL, INC.**



### 1993

Bergan Brunswig Corp., now Cardinal Health, acquires Durr-Fillauer in a hostile takeover seeking its pharmaceutical and surgical supply divisions. Karl Fillauer and a group of investors purchase the orthotic and prosthetic divisions to form Fillauer, Inc.



### 1996 – 1999

Fillauer begins a steady expansion, acquiring such companies as Hosmer, in 1996, and Motion Control, in 1997, which collectively brings in a strong upper-extremity product line, both body powered and myoelectric. The Center for Orthotic Design, acquired in 1999, develops a new version of the reciprocating gait orthosis.



Top: The Hosmer 5XA Hooks

Bottom: The Motion Control ETD and Hybrid Arm



Trautman™ Bench Carver



Dynamic Walk

### 2000s

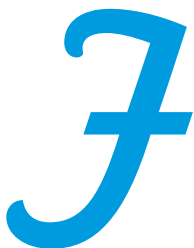
Fillauer continues expansion, acquiring Swedish-based Centri AB in 2002, adding gloves, liners, and protective leg coverings, in addition to other orthotic and prosthetic components. In 2005, the Trautman™ equipment line is added to Fillauer LLC. In 2008, Fillauer started Emotis, its first joint venture, which uses advanced composite materials to produce prosthetic feet. Most recently, in 2009, Fillauer purchases OTS Corp., a high-end provider of orthotic componentry, including the StepLock knee joint, and PDQ® Ovens for O&P fabrication.



PDQ® BT-4 Oven



AllPro Foot



### 2017

Today, Fillauer's mission is to be a leader in the evolution, design, and technology of orthotic and prosthetic products and services that empower clinicians and patients to achieve their best functional outcomes.

Led by the fourth generation, Michael Fillauer, CPO/L is President & CEO of Fillauer Companies, Inc. where he and his brother David Fillauer serve on the board. Fillauer encompasses Fillauer LLC, Motion Control, Fillauer Composites (formerly Emotis), Fillauer North Carolina (formerly OTS Corp.), Fillauer Europe (formerly Centri), and Fillauer Orthotics and Prosthetics.

# Fillauer Product Warranty

Fillauer items under warranty will be replaced or repaired (at Fillauer's discretion) at no charge, if the material or workmanship is found to be defective. Normal wear is not warranted. The warranty will be void if the item has been: a. fabricated or installed outside Fillauer's recommendations b. modified c. exposed to a corrosive environment d. if used in extremely abusive activities. Below is a summary of warranties.

## Orthotic and Prosthetic Components, Equipment, and Custom Fabrication Items

are warranted for 12 months from the date of shipment from the Fillauer warehouse or from an authorized Fillauer distributor with the following exceptions:

### Suspension Sleeves, Silicone Gloves, Body Restorations, and Tiny Titans

are warranted for 90 days from the date of shipment from the Fillauer warehouse or from an authorized Fillauer distributor.

### Prosthetic Liners, Dream Skin, Foot Shells, Cosmetic Gloves, and Trautman Tools & Accessories

are warranted for 6 months from the date of shipment from the Fillauer warehouse or from a Fillauer authorized distributor.

### Hosmer Hooks

are warranted for 18 months from the date of shipment from the Fillauer warehouse or from a Fillauer authorized distributor.

### Elbows

are warranted for 18 – 24 months from the date of shipment from the Fillauer warehouse or from a Fillauer authorized distributor. See specific product warranty for more information.

### Fillauer Feet

are warranted for 12, 24, or 36 months from the date of patient fitting.

<b>12 months:</b>	Running Blade
<b>24 months:</b>	AllPro, K2, Motion Foot® MX, Formula™, and Raize
<b>36 months:</b>	Aeris Activity, Aeris Performance 2, Aeris Performance LP, Ibex XD, Element, Element DS, and Wave Comfort 3

**All warranties are voided by alteration or misuse of the product.**

## Returns, Adjustments, and Credits

Inspect all goods immediately upon receipt for damage or errors in shipping. Call Customer Service within 3 business days in the event of errors or damage. Credit will not be issued for custom items made to specification or non-stock items older than 30 days, unless Fillauer shipped in error or there is defect in materials or workmanship.

Prior approval and a return authorization number must be obtained from Customer Service for all goods returned. Credit for returned merchandise is subject to inspection and may be subject to a 15% restocking fee for merchandise in resalable condition. Goods returned without prior approval may be subject to a 25% restocking fee. No credit shall be issued for goods that are more than 12 months old. Returns must be accompanied by a copy of original invoice, order number, or PO number. The return authorization number, provided by Customer Service, must appear on the shipping label.

# Contents

Fillauer Product Warranty .....	6
---------------------------------	---

## Feet

Composite Feet .....	10
Hydraulic Ankle Feet .....	11
AllPro .....	12
AllPro: Posterior Mount .....	13
Formula™ .....	14
Running Blade .....	15
Aeris Performance 2 .....	16
Aeris Performance LP .....	17
Ibex XD .....	18
Element DS .....	19
Element .....	20
Wave Comfort 3 .....	21
Aeris Activity .....	22
K2 Foot .....	23
Motion Foot® MX — Hydraulic Ankle .....	24
Raize .....	25

## Adapters

DuraShock .....	28
DuraShock with Tube Clamp .....	29
DuraShock Short .....	29
SFX (Stance Flexion Adapter) .....	30
XD Heavy Tube Clamp Adapter for 34 mm Tube .....	31
XD Heavy Duty 4-Prong Adapter .....	31
Double Adapter Pyramid Male / Female .....	32
ALP-ALU 4-Hole Adapter .....	32
4-Hole Adapter with Rotation .....	33
Rotatable Adapter .....	33
Rotatable Pyramid Adapter .....	34
4-Hole Pyramid Adapter .....	34
Pylon Tube Clamp with Pyramid Receiver .....	35
Dual Adapter .....	35
Above Knee Rotatable Socket Adapters .....	36
Above Knee Socket Adapter .....	36
4-Prong BK Adapter with Pyramid .....	37
4-Prong BK Adapter with Pyramid .....	37
Trans-femoral Rotator .....	37
30 mm Pylon with Adapter .....	38
Aluminum 30 mm Pylon .....	38
XD Heavy Duty 34 mm Pylon .....	39
MightyMite® 22 mm Pylon .....	39

## Valves

Prosthetic Valves .....	42
Red Dot Air Expulsion Valve .....	43
Plastic and Aluminum Screw-In Suction Valve .....	43
Leak-Rate Total Contact Valve .....	44
Sierra Screw-In Suction Valve .....	44
S.F.S. Valve (Scandinavian Flexible Socket) .....	45
CTFV – CSF Valve .....	46
Mini Valve for Vacuum Socket .....	46
CSS Valve .....	47
CSS Valve Kit with Pyramid Lamination Adapter .....	47

## Locks

Lock System Chart .....	50
Original Shuttle Lock .....	51
Modular Shuttle Lock with Titanium Pyramid .....	52
Modular Shuttle Lock with Delrin Housing .....	53
Modular Shuttle Lock with Cylindrical Housing .....	54
Modular Shuttle Lock with 4-Hole Housing .....	55
Cylindrical Lock .....	56
Gator Grip with Ti Pyramid Lock .....	57
Gator Grip Delrin Lock .....	58
Gator Grip Cylindrical Lock .....	59
Clutch Lock with Titanium Pyramid .....	60
Clutch Lock with Delrin Housing .....	61
Clutch Lock with Cylindrical 4-Hole Housing .....	62
Shuttle Vac. ....	63
Shuttle Lock Plungers .....	64
Gator Grip Plungers .....	64
Clutch Lock Plungers .....	64
Lanyard Plunger .....	64
Small Delrin Shuttle Lock Plungers .....	64
Lock Device Plungers .....	64
Latch Pins .....	65
Liner Lanyard .....	65
Cord Lock .....	66

## Sleeves & Liners

Absolute Preflexed Sleeve	68
Absolute Straight Sleeve	69
Absolute Straight Sleeve – No Fabric	70
Absolute Liner – Full Matrix	71
Absolute Locking Liner – Thin Bottom	72
Absolute Locking Liner – Thick Bottom	73
Absolute Cushion Liner – Thin Bottom	74
Absolute Cushion Liner – Thick Bottom	75
Absolute Cushion Liner – No Fabric	76
Custom Made Liner	77

## Knees

Endurance Hydraulic 160 Knee System	80
Hydraulic Control	81
Lite Phase Hydraulic Control	81
Spectrum EX 4-Bar Pneumatic Knee	82
W.A.L.K. (Weight Activated Locking Knee)	83
S.A.F.K. (Single Axis Friction Knee)	84
S.A.L.K. (Single Axis Locking Knee)	85
MightyMite® 4-Bar Knee	86
MightyMite® 4-Bar Knee Proximal Attachments	86

## Cosmetic Solutions

Dream Skin	88
Foam Fairings for Transtibial Prosthesis	89
Expanded Pe-Lite™ Leg Covers for Transtibial Prosthesis	89
Foam Covers	89

## Auxiliary Suspension

PTB Cuff Suspension	92
RMB Bar Channel Assembly for Supracondylar Suspension	93
Femoral Plastisol Condylar Wedges	94
Transtibial Waist Belt	94
Silesian Belt Kit Transfemoral Belt	95
Universal Silesian Belt Kit	95
Socket Attachment Plate for Silesian Belt	95

## Pediatric

AllPro: Pediatric	98
Pediatric Formula™	99
MightyMite® SACH Feet	100
MightyMite® SACH Foot Adapter	101
MightyMite® SACH Growth Compensation Spacer	101
MightyMite® 4-Bar Knee	102
MightyMite® 4-Bar Knee Proximal Attachments	102
MightyMite® 22 mm Pylons	103
4-Hole Spacer Blocks	103
MightyMite® BK Tube Clamp	104
MightyMite® 4-Hole Plate with Male Dovetail	104
MightyMite® Alignment Adapter	105
MightyMite® 4-Hole Distal Attachment Blocks	105
MightyMite® BK Socket Adapter	106
MightyMite® 4-Hole Adapter	106
MightyMite® Rotatable Pyramid Receiver	107
MightyMite® AK Socket Adapter	107
MightyMite® 4-Hole Adapter with Rotation	108
MiniShock	108
MightyMite® Shuttle Lock with Cylindrical Housing	109
MightyMite® Modular Shuttle Lock with Titanium Pyramid	110
Small Modular Shuttle Lock with Delrin Housing	111
Mini Shuttle Lock	112



Feet

# Composite Feet

Foot	Sizes	Weight Limit	Weight	Build Height	Indication
AllPro DM	19 – 30 cm	330 lbs. 150 kg	15.9 oz. 450 g	6 in. (15.2 cm) 8 in. (20.3 cm) 10 in. (25.4 cm) 12 in. (30.5 cm)	K3 and K4 amputees who need maximum shock absorption, energy return, and flexibility. Amputees who are looking for an everyday walking foot with professional competition level performance. Patients also benefit from the ability to use a foot shell and change from a dress shoe to their cleats. Available for pediatric cases.
AllPro PM	22 – 30 cm	330 lbs. 150 kg	21 oz. 600 g	4.0 in. 10 cm	The added length of the posterior mounted AllPro allow patients with longer limbs to be fit with a high performance foot when build height is an issue. The longer carbon spring also gives greater energy return that is best controlled by patients with strong thigh musculature and/or long limbs.
Formula™	22 – 31 cm	330 lbs. 150 kg	24 oz. 675 g	3 in. 7.6 cm	Similar to the AllPro PM, the Formula offers excellent energy return but with a lower sagittal plane profile. The higher heel and trimmable footplate allows use with a greater assortment of footwear when the foot cover is fabricated by the practitioner.
Obsidian DM		330 lbs. 150 kg	19.4 oz. 550 g	10.75 in. 27.3 cm	K3 and K4 amputees who desire to run. Especially suited for distances over 100 meters due to the split toe helping amputees maintain speed and balance in a turn and on uneven terrain.
Obsidian PM		330 lbs. 150 kg	28 oz. 800 g	2.0 in. 5.1 cm	K4 amputees who desire to run. Especially suited for distances over 100 meters due to the split toe helping amputees maintain speed and balance in a turn and on uneven terrain. Posterior mounted feet allow patients with longer limbs to be fit with a blade when build height is an issue. The longer carbon spring also gives greater energy return that is best controlled by patients with strong thigh musculature and/or long limbs.
Obsidian Sprint		275 lbs. 125 kg	35 oz. 1000 g	3.0 in. 7.6 cm	K4 amputees who desire to sprint (primarily distances 800 meters or less). Especially suited for distances over 100 meters with the split toe variant, helping amputees maintain speed and balance in a turn. Posterior mounted feet allow patients with longer limbs to be fit with a blade when build height is an issue. This device has been specifically designed around the need of competitive athletes and requires exception muscle control and strength.
Aeris Performance 2	22 – 30 cm	330 lbs. 150 kg	18.5 oz. 525 g	7.0 in. 18 cm	K3 and K4 amputees who want to go from the office to the field and either need a cosmetic cover or cannot get approved for a shock pylon foot (AllPro). Provides terrain compliance without sacrificing energy return.
Aeris Performance LP	22 – 30 cm	275 lbs. 125 kg	15.9 oz. 450 g	5.4 in. 13.6 cm	K3 patients who need the energy return of a multi-spring carbon composite foot with good stability and multi-axial function at a lower build height.

Ibex XD	25 – 30 cm	440 lbs. 200 kg	21.2 oz. 602 g	7.63 in. 19 cm	K3 and K4 amputees who weigh 330 – 440 lb (150 – 200 kg) or frequently carry objects that put them over 330 lbs.
Element DS	22 – 30 cm	275 lbs. 125 kg	22.3 oz. 632 g	6.5 in. 16.5 cm	K3 and K4 amputees needing shock absorption and absorption of rotational forces (60°) for vocational activities or sport. The low build height also gives more amputees the option of this type of foot.
Element	22 – 30 cm	300 lbs. 136 kg	12 oz. 340 g	3.75 in. 9.5 cm	Designed for K3, transtibial amputees with a need for low build height. The Element has the best combination of energy return and dorsiflexion/ plantarflexion available in a low-profile foot design.
Wave Comfort 3	22 – 30 cm	330 lbs. 150 kg	13.2 oz. 375 g	4 in. 10 cm	Designed for low to mid K3 transtibial amputees needing good shock absorption and stability on uneven terrain with 36° of inversion/eversion. Particularly beneficial for K3 knee disarticulation and all higher level amputations due to early advancement to foot flat.
Aeris Activity	22 – 30 cm	275 lbs. 125 kg	17.6 oz. 500 g	1.75 in. 4.4 cm	This posterior mounted foot is specifically intended for patients with Syme's/Boyd amputations. The mounting position allows for use of a long carbon pylon which gives the patient excellent range of motion in all three planes and a level of energy return that has not been available to patients with such low levels of clearance.
K2	22 – 30 cm	365 lbs. 165 kg	14.1 oz. 395 g	3.5 in. 9 cm	Designed specifically for K2 amputees of all types. It is stable when standing and at midstance with soft, smooth gait initiation and unparalleled ground compliance.

## Hydraulic Ankle Feet

Foot	Sizes	Weight Limit	Weight	Build Height	Indication
Raize Microprocessor Foot	24 – 30 cm	220 lbs. 100 kg	27.7 oz. 785 g	3.5 – 3.75 in. 9 – 9.5 cm	If they can handle and care for a cell phone, they can handle the Raize. This microprocessor controlled device is suitable for K3 amputees who will not be running. 40° of ROM, 28° are directly controlled by the microprocessor and 12° by the carbon plates. Mobile app for easy adjustment, including heel height.
Motion Foot® MX	22 – 30 cm	220 lbs. 100 kg	28 oz. 794 g	3.25 in. 8.3 cm	The only foot with normal ankle ROM. Benefits any K3 or K4 amputee that regularly traverses uneven terrain. They will notice greater stability and less impact on the residual limb. Particularly beneficial to K3 and K4 transfemoral amputees.

# AllPro



## Specifications

**Weight limit:** 330 lbs. (150 kg)

**Heel height:** 3/8 in. (10 mm)

**Product weight:** 19.4 oz. (550 g) Size 27

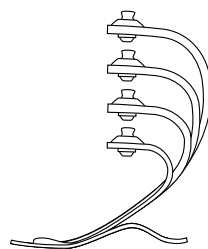
## Build height

12.0 in. (30.5 cm) (Adult only)

10.0 in. (25.4 cm) (Adult only)

8.0 in. (20.3 cm)

6.0 in. (15.2 cm)



## Product Features

- Versatile foot function adapts to all activities
- Industry-leading flexibility provides excellent plantar and dorsiflexion
- Split-Toe for multiaxial movement
- Carbon composite design for dynamic response
- Adjustable heel stiffness with replaceable bumper
- The RPI pyramid allows two different placements of the alignment in reference to the foot length. Either 30% or 35% of foot length for TF or TT respectively\*

\*Available on adult 8, 10, and 12 in. pylons only.

## Ordering Information

- Includes foot, spectra sock, and instruction manual
- Foot shell ordered separately

### Product Number

Replace XX-XX with the correct length and weight details from the table below. For above knee amputees, add “-AK” following the part number. For example, 137-108-26-C5-AK.

Model	Height	Foot Sizes	Product Number
AllPro Foot	6 in. (15.2 cm)	19 – 30 cm	<b>137-106-XX-XX</b>
AllPro Foot	8 in. (20.3 cm)	19 – 30 cm	<b>137-108-XX-XX</b>
AllPro Foot	10 in. (25.4 cm)	22 – 30 cm	<b>137-110-XX-XX</b>
AllPro Foot	12 in. (30.5 cm)	22 – 30 cm	<b>137-112-XX-XX</b>

## ProCover

Replace XX with foot size: 22 – 30 cm



Color	Product Number
● 99	<b>182-10-10XX</b>

## Foot Shell

Replace XX with foot size: 22 – 30 cm



Color	Left	Right
● 03	<b>45-XX-13-03-3</b>	<b>46-XX-13-03-3</b>
● 09	<b>45-XX-13-09-3</b>	<b>46-XX-13-09-3</b>
● 13	<b>45-XX-13-13-3</b>	<b>46-XX-13-13-3</b>
● 99	<b>45-XX-13-99-3</b>	<b>46-XX-13-99-3</b>

Weight		19 cm	20 cm	21 cm	22 cm	23 cm	24 cm	25 cm	26 cm	27 cm	28 cm	29 cm	30 cm
50 – 74 lbs.	23 – 33 kg	<b>19-3A1</b>	<b>20-3A1</b>	<b>21-3A1</b>	<b>22-3A1</b>	<b>23-3A1</b>	<b>24-3A1</b>						
75 – 99 lbs.	34 – 44 kg	<b>19-2A2</b>	<b>20-2A2</b>	<b>21-2A2</b>	<b>22-2A2</b>	<b>23-2A2</b>	<b>24-2A2</b>						
100 – 119 lbs.	45 – 54 kg	<b>19-A2</b>	<b>20-A2</b>	<b>21-A2</b>	22-A2	23-A2	24-A2	25-B4	26-B4				
120 – 139 lbs.	54 – 63 kg				22-A3	23-A3	24-A3	25-B4	26-B4	27-C6	28-C6		
140 – 159 lbs.	64 – 72 kg				22-B4	23-B4	24-B4	25-B4	26-B4	27-C6	28-C6	29-D7	30-D7
160 – 179 lbs.	73 – 81 kg				22-B4	23-B4	24-B4	25-C5	26-C5	27-C6	28-C6	29-D7	30-D7
180 – 199 lbs.	82 – 90 kg				22-C5	23-C5	24-C5	25-C5	26-C5	27-D7	28-D7	29-D7	30-D7
200 – 224 lbs.	91 – 102 kg				22-C5	23-C5	24-C5	25-D6	26-D6	27-D7	28-D7	29-E8	30-E8
225 – 249 lbs.	102 – 113 kg							25-D6	26-D6	27-E8	28-E8	29-E8	30-E8
250 – 275 lbs.	113 – 125 kg							25-E7	26-E7	27-E8	28-E8	29-F9	30-F9
276 – 300 lbs.	126 – 136 kg							25-E7	26-E7	27-F9	28-F9	29-F9	30-F9
301 – 330 lbs.	137 – 150 kg							25-F9	26-F9	27-F9	28-F9	29-G10	30-G10

Categories in purple are available in 6 and 8 in. pylon versions only. Sizes 19 – 21 cm are assembled with a pediatric pyramid that is compatible with standard 22 mm pylons and have a sandal toe. Please note what side you want.

# AllPro: Posterior Mount



## Specifications

	Size	Build height
Weight limit: 330 lbs. (150 kg)	22 – 30 cm	3.0 in. (75 mm) (lowest)
Heel height: 3/8 in. (10 mm)		
Product weight: 19.6 oz. (557 g) Size 27		

## Product Features

- Versatile foot function adapts to all activities
- Industry-leading flexibility provides excellent plantar and dorsiflexion
- Split toe for multiaxial movement
- Carbon composite design for dynamic response
- Adjustable heel stiffness with replaceable bumper



## ProCover

Replace XX with foot size: 22 – 30 cm



Color	Product Number
● 99	182-10-10XX

## Ordering Information

- Includes foot, spectra sock and instruction manual
- Foot shell ordered separately

## Product Number

Replace XX-XX with the correct length and weight details from the table below.

Model	Foot Sizes	Product Number
AllPro Foot Posterior Mount	22 – 30 cm	137-PM-XX-XX

## Foot Shell

Replace XX with foot size: 22 – 30 cm



Color	Left	Right
● 03	45-XX-13-03-3	46-XX-13-03-3
● 09	45-XX-13-09-3	46-XX-13-09-3
● 13	45-XX-13-13-3	46-XX-13-13-3
● 99	45-XX-13-99-3	46-XX-13-99-3

Weight	22 cm	23 cm	24 cm	25 cm	26 cm	27 cm	28 cm	29 cm	30 cm
100 – 119 lbs. 45 – 54 kg	22-A2	23-A2	24-A2	25-B4	26-B4				
120 – 139 lbs. 54 – 63 kg	22-A3	23-A3	24-A3	25-B4	26-B4	27-C6	28-C6		
140 – 159 lbs. 64 – 72 kg	22-B4	23-B4	24-B4	25-B4	26-B4	27-C6	28-C6	29-D7	30-D7
160 – 179 lbs. 73 – 81 kg	22-B4	23-B4	24-B4	25-C5	26-C5	27-C6	28-C6	29-D7	30-D7
180 – 199 lbs. 82 – 90 kg	22-C5	23-C5	24-C5	25-C5	26-C5	27-D7	28-D7	29-D7	30-D7
200 – 224 lbs. 91 – 102 kg	22-C5	23-C5	24-C5	25-D6	26-D6	27-D7	28-D7	29-E8	30-E8
225 – 249 lbs. 102 – 113 kg				25-D6	26-D6	27-E8	28-E8	29-E8	30-E8
250 – 275 lbs. 113 – 125 kg				25-E7	26-E7	27-E8	28-E8	29-F9	30-F9
276 – 300 lbs. 126 – 136 kg				25-E7	26-E7	27-F9	28-F9	29-F9	30-F9
301 – 330 lbs. 137 – 150 kg				25-F9	26-F9	27-F9	28-F9	29-G10	30-G10

## Posterior Mounting Bracket

Description	Material	Part Number
Posterior Mounting Bracket	Aluminum	180-10-2010



# Formula™



K3 K4 TT

## Specifications

Weight rating: 330 lbs. (150 kg)

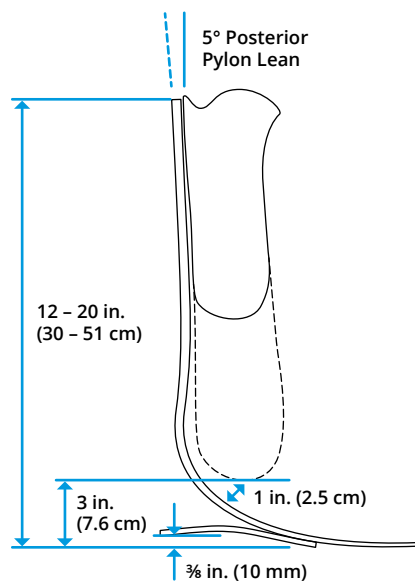
Foot size: 22 - 31 cm

Functional levels: K3 - K4

Weight (27 cm foot): 24 oz. (675 g)

Pylon height: 12 - 20 in. (30 - 21 cm)

Build height: 3 in. (7.6 cm)



## Product Features

- Posterior mount design provides ideal balance of flexibility and power
- Long, carbon-composite pylon delivers lightweight, dynamic response
- Full-split toe offers maximum multi-axial function
- Rocker toe supports easy and smooth roll-over
- Fully customizable—choose the pylon and separate heel spring best suited for your patient



Shown with practitioner-fabricated foot form

## Ordering Information

- Order pylon based on patient weight
- Order heel spring based on desired stiffness
- Transfemoral or patients 6'2" (188 cm) or taller should move up one weight class for pylon and heel spring standard

Weight		Pylon	Heel Spring Softer	Heel Spring Standard	Heel Spring Stiffer
100 - 129 lbs.	45 - 58 kg	<b>178-110-2A</b>		<b>178-110-5</b>	<b>178-110-6</b>
130 - 159 lbs.	59 - 72 kg	<b>178-110-A</b>	<b>178-110-5</b>	<b>178-110-6</b>	<b>178-110-7</b>
160 - 189 lbs.	73 - 85 kg	<b>178-110-B</b>	<b>178-110-6</b>	<b>178-110-7</b>	<b>178-110-8</b>
190 - 219 lbs.	86 - 99 kg	<b>178-110-C</b>	<b>178-110-7</b>	<b>178-110-8</b>	<b>178-110-9</b>
220 - 249 lbs.	100 - 113 kg	<b>178-110-D</b>	<b>178-110-8</b>	<b>178-110-9</b>	<b>178-110-10</b>
250 - 289 lbs.	114 - 131 kg	<b>178-110-E</b>	<b>178-110-9</b>	<b>178-110-10</b>	<b>178-110-11</b>
290 - 330 lbs.	132 - 150 kg	<b>178-110-F</b>	<b>178-110-10</b>	<b>178-110-11</b>	

## Posterior Mounting Bracket (Optional)

Description	Material	Part Number
Posterior Mounting Bracket	Aluminum	<b>180-10-2010</b>



# Obsidian



- K3
- K4
- TT
- TF

## Product Features

- Split-Toe Sole
- STF Technology
- Dynamic Carbon Composite



## Specifications

	Running Blade Direct Mount	Pediatric Running Blade Posterior Mount	Running Blade Posterior Mount	Sprint Blade Posterior Mount
Patient Weight	Up to 330 lbs. (150 kg)	Up to 180 lbs. (82 kg)	Up to 330 lbs. (150 kg)	Up to 275 lbs. (125 kg)
Foot Weight	19.4 oz. (550 g)	19.4 oz. (550 g)	28 oz. (800 g)	35 oz. (1000 g)
Clearance	10.75 in. (27.3 cm)	2.0 in. (5.1 cm)	2.0 in. (5.1 cm)	3 in. (7.6 cm)
Mounting Height	10.75 in. (27.3 cm)	10.5 in. – 18.5 in. (26.7 – 47.0 cm)	15.5 in. – 21.5 in. (39.4 – 54.6 cm)	18 in. – 26 in. (45.7 – 66.0 cm)
Width at Minimum Build Height		1.75 in. (44 mm)	2.25 in. (57 mm)	2.25 in. (57 mm)
Warranty	12 months	12 months	12 months	6 months
Patient Trial	Yes	No	No	No

## Ordering Information

Patient Weight	Running Blade Direct Mount	Pediatric Running Blade Posterior Mount	Running Blade Posterior Mount	Sprint Blade Posterior Mount
50 – 74 lbs. (23 – 33 kg)		<b>175-120-3A</b>		
75 – 99 lbs. (34 – 44 kg)	<b>175-130-3A</b>	<b>175-120-2A</b>		
100 – 124 lbs. (45 – 56 kg)	<b>175-130-2A</b>	<b>175-120-A</b>		<b>177-110-X**</b>
125 – 149 lbs. (57 – 68 kg)	<b>175-130-A</b>	<b>175-120-B</b>	<b>175-110-A</b>	<b>177-110-X**</b>
150 – 179 lbs. (69 – 81 kg)	<b>175-130-B</b>	<b>175-120-C</b>	<b>175-110-B</b>	<b>177-110-X**</b>
180 – 209 lbs. (82 – 95 kg)	<b>175-130-C</b>		<b>175-110-C</b>	<b>177-110-X**</b>
210 – 239 lbs. (96 – 109 kg)	<b>175-130-D</b>		<b>175-110-D</b>	<b>177-110-X**</b>
240 – 275 lbs. (110 – 125 kg)	<b>175-130-E</b>		<b>175-110-E</b>	<b>177-110-X**</b>
276 – 330 lbs. (125 – 150 kg)	<b>175-130-F</b>		<b>175-110-F</b>	

\*Obsidian Sprint does not include track sole

\*\*Obsidian Sprint requires order form available at [www.fillauer.com](http://www.fillauer.com)

## Posterior Mounting Bracket

Patient Weight	Running Blade Direct Mount	Pediatric Running Blade Posterior Mount	Running Blade Posterior Mount
Adjustable Alignment Bracket		<b>180-10-5000</b>	<b>180-10-4000</b>
Posterior Mounting Bracket		<b>180-10-3000</b>	<b>180-10-2010</b>
Replacement Running Tread	<b>100-40-4000</b>	<b>100-40-4000</b>	<b>100-40-4000</b>



# Aeris Performance 2



## Specifications

	Size	Build height
Weight limit: 330 lbs. (150 kg)	22 – 24 cm	6.5 in. (166 mm)
Heel height: 0.4 in. (10 mm)	25 – 26 cm	7.1 in. (180 mm)
Product weight: 17.6 oz. (500 g) Size 27	27 – 30 cm	7.3 in. (185 mm)

## Product Features

- Innovative micro-slice design and split heel for multi-axial function and terrain conformance
- Enhanced plantarflexion for stability at heel strike
- Advanced Energy Release (AER) Pylon minimizes forces to the residual limb
- Smooth rollover and great energy return



## Ordering Information

- Includes foot, elastomer heel wedge, spectra sock and instruction manual

### Product Number

122-10-XX-XX: Replace XX-XX with the correct length and weight details from the table below

Weight		22 cm	23 cm	24 cm	25 cm	26 cm	27 cm	28 cm	29 cm	30 cm
100 – 119 lbs. 45 – 54 kg		22-A2	23-A2	24-A2	25-B4	26-B4	*	*	*	*
120 – 139 lbs. 55 – 63 kg		22-A2	23-A2	24-A2	25-B4	26-B4	27-C5	28-C5	*	*
140 – 159 lbs. 64 – 72 kg		22-B3	23-B3	24-B3	25-B5	26-B5	27-C5	28-C5	29-D6	30-D6
160 – 179 lbs. 73 – 81 kg		22-B3	23-B3	24-B3	25-B5	26-B5	27-C6	28-C6	29-D6	30-D6
180 – 199 lbs. 82 – 90 kg		22-B4	23-B4	24-B4	25-C6	26-C6	27-C6	28-C6	29-D7	30-D7
200 – 224 lbs. 91 – 101 kg		22-B4	23-B4	24-B4	25-C6	26-C6	27-D7	28-D7	29-D7	30-D7
225 – 249 lbs. 102 – 113 kg		22-C5	23-C5	24-C5	25-D7	26-D7	27-D7	28-D7	29-E8	30-E8
250 – 275 lbs. 114 – 125 kg		22-C5	23-C5	24-C5	25-D7	26-D7	27-E8	28-E8	29-E8	30-E8
276 – 300 lbs. 126 – 136 kg					25-E8	26-E8	27-E8	28-E8	29-E9	30-E9
301 – 330 lbs. 137 – 150 kg					25-E8	26-E8	27-E9	28-E9	29-E9	30-E9

\* Contact your distributor for recommendations

## Foot Shell

Replace XX with foot size: 22 – 30 cm

Color	Left	Right
03	45-XX-13-03-3	46-XX-13-03-3
09	45-XX-13-09-3	46-XX-13-09-3
13	45-XX-13-13-3	46-XX-13-13-3
99	45-XX-13-99-3	46-XX-13-99-3



# Aeris Performance LP



## Specifications

	Size	Build height
Weight limit: 275 lbs. (125 kg)	22 – 26 cm	5.2 in. (132 mm)
Heel height: 0.4 in. (10 mm)	27 – 28 cm	5.3 in. (134 mm)
Product weight: 15.9 oz. (450 g) Size 27	29 – 30 cm	5.4 in. (136 mm)

## Product Features

- Increased axial rotation via dual-spring pylon
- At heel strike, dual-springs open to enhance plantarflexion
- After foot-flat, dual-springs close and support each other to provide a smooth transition, balance of stability and dynamic response
- Advanced Energy Release (AER) Pylon



## Ordering Information

- Includes foot, spectra sock, and instruction manual

### Product Number

123-10-XX-X : Replace XX-X with the correct length and weight details from the table below.

Weight		22 cm	23 cm	24 cm	25 cm	26 cm	27 cm	28 cm	29 cm	30 cm
99 – 130 lbs.	45 – 59 kg	22-A	23-A	24-A	25-B	26-B	27-B	28-B	29-D	30-D
131 – 163 lbs.	60 – 74 kg	22-A	23-A	24-A	25-B	26-B	27-C	28-C	29-D	30-D
164 – 198 lbs.	75 – 90 kg	22-B	23-B	24-B	25-C	26-C	27-C	28-C	29-D	30-D
199 – 235 lbs.	91 – 107 kg	22-B	23-B	24-B	25-C	26-C	27-D	28-D	29-E	30-E
236 – 275 lbs.	108 – 125 kg				25-D	26-D	27-D	28-D	29-E	30-E

## Foot Shell

Replace XX with foot size: 22 – 30 cm



Color	Left	Right
03	45-XX-13-03-3	46-XX-13-03-3
09	45-XX-13-09-3	46-XX-13-09-3
13	45-XX-13-13-3	46-XX-13-13-3
99	45-XX-13-99-3	46-XX-13-99-3



# Ibex XD



- K2
- K3
- K4
- TT
- TF

## Specifications

	Size	Build height
Weight limit: 440 lbs. (200 kg)	25 – 28 cm	7.2 in. (184 mm)
Heel height: 0.4 in. (10 mm)	25 – 28 cm	7.2 in. (184 mm)
Product weight: 21.2 oz. (601 g) Size 27	29 – 30 cm	7.3 in. (186 mm)

## Product Features

- Durable foot for heavier users with outstanding energy return
- Innovative micro-slice technology for multi-axial performance
- Adjustable heel wedge for fine tuning heel stiffness



## Ordering Information

- Includes foot, spectra sock and instruction manual
- Fillauer recommends using only Ibex XD componentry for the Ibex XD foot. These are the only components that are fully compatible and warranted to ensure customer safety and overall product functionality (see below).

### Product Number

120-10-XX-XXXX (330 – 440 lbs. (150 – 200 kg)): Replace XX-XXXX with the correct length and weight details from the table below

Weight		25 cm	26 cm	27 cm	28 cm	29 cm	30 cm
330 – 440 lbs.	150 – 200 kg	<b>25-E8XD</b>	<b>26-E8XD</b>	<b>27-E9XD</b>	<b>28-E9XD</b>	<b>29-E9XD</b>	<b>30-E9XD</b>

## Foot Shell

Replace XX with foot size: 22 – 30 cm

Color	Left	Right
03	<b>45-XX-13-03-3</b>	<b>46-XX-13-03-3</b>
09	<b>45-XX-13-09-3</b>	<b>46-XX-13-09-3</b>
13	<b>45-XX-13-13-3</b>	<b>46-XX-13-13-3</b>
99	<b>45-XX-13-99-3</b>	<b>46-XX-13-99-3</b>



## Accessories



Description	Weight Limit	Build Height	Weight	Length	Diameter	Product Number
XD Pylon, page 37	440 lbs. (200 kg)			16.9 in. (430 mm)	34 mm	<b>126133</b>
XD Tube Clamp Adapter, page 37	440 lbs. (200 kg)	2.1 in. (53 mm)	3.0 oz. (84 g)		34 mm	<b>126100</b>
XD 4-Prong Pyramid, page 38	440 lbs. (200 kg)	0.7 in. (17.5 mm)	4.6 oz. (131 g)			<b>126120</b>
XD 4-Prong Receiver, page 38	440 lbs. (200 kg)	0.75 in. (19 mm)	3 oz. (87 g)			<b>126122</b>

# Element DS



## Specifications

Weight limit: 275 lbs. (125 kg)	Size	Build height
Heel height: 0.4 in. (10 mm)	22 – 24 cm	6.0 in. (153 mm)
Product weight: 26.8 oz. (760 g) Size 27	25 – 30 cm	6.7 in. (171 mm)

## Product Features

- For comfortable everyday use on flat or uneven ground
- Unique three element design giving a smooth rollover and superior stability
- Innovative Micro-Slice technology for multi-axial performance
- Vertical shock and a 60° of axial rotation for increased socket comfort



US Patent No. 9,011,554

## Ordering Information

- Includes foot, spectra sock and instruction manual

### Product Number

**105-10-XX-XXXX:** Replace XX-XXXX with the correct length and weight details from the table below

### Foot selection requires foot length and weight

Weight	22 cm	23 cm	24 cm	25 cm	26 cm	27 cm	28 cm	29 cm	30 cm
100 – 119 lbs. 45 – 54 kg	<b>22-A11R</b>	<b>23-A11R</b>	<b>24-A11R</b>	<b>25-A32R</b>	<b>26-A32R</b>				
120 – 139 lbs. 55 – 63 kg	<b>22-A11R</b>	<b>23-A11R</b>	<b>24-A11R</b>	<b>25-A32R</b>	<b>26-A32B</b>	<b>27-A43B</b>	<b>28-A43B</b>		
140 – 159 lbs. 64 – 72 kg	<b>22-A11R</b>	<b>23-A11R</b>	<b>24-A11R</b>	<b>25-A32B</b>	<b>26-A32B</b>	<b>27-A43B</b>	<b>28-A43K</b>	<b>29-C64K</b>	<b>30-C64K</b>
160 – 179 lbs. 73 – 81 kg	<b>22-A22R</b>	<b>23-A22B</b>	<b>24-A22B</b>	<b>25-A43B</b>	<b>26-A43B</b>	<b>27-A43K</b>	<b>28-A43K</b>	<b>29-C64K</b>	<b>30-C64K</b>
180 – 199 lbs. 82 – 90 kg	<b>22-A22B</b>	<b>23-A22B</b>	<b>24-A22B</b>	<b>25-B43B</b>	<b>26-B43K</b>	<b>27-B54K</b>	<b>28-B54K</b>	<b>29-C64K</b>	<b>30-C64K</b>
200 – 224 lbs. 91 – 101 kg	<b>22-A32B</b>	<b>23-A32K</b>	<b>24-A32K</b>	<b>25-B53K</b>	<b>26-B53K</b>	<b>27-B54K</b>	<b>28-B54K</b>	<b>29-D75K</b>	<b>30-D75K</b>
225 – 249 lbs. 102 – 113 kg				<b>25-C54K</b>	<b>26-C54K</b>	<b>27-C65K</b>	<b>28-C65K</b>	<b>29-D75K</b>	<b>30-D75K</b>
250 – 275 lbs. 114 – 125 kg				<b>25-C64K</b>	<b>26-C64K</b>	<b>27-C65K</b>	<b>28-C65K</b>	<b>29-D75K</b>	<b>30-D75K</b>

## Foot Shell



Replace XX with foot size: 22 – 30 cm

Color	Left	Right
03	<b>45-XX-13-03-3</b>	<b>46-XX-13-03-3</b>
09	<b>45-XX-13-09-3</b>	<b>46-XX-13-09-3</b>
13	<b>45-XX-13-13-3</b>	<b>46-XX-13-13-3</b>
99	<b>45-XX-13-99-3</b>	<b>46-XX-13-99-3</b>



# Element



- K3
- K4
- TT
- TF

## Specifications

<b>Weight limit:</b> 300 lbs. (136 kg)	<b>Size</b>	<b>Build height</b>
<b>Heel height:</b> 0.4 in. (10 mm)	22 – 24 cm	3.0 in. (75 mm)
<b>Product weight:</b> 12.7 oz. (360 g) Size 27	25 – 30 cm	3.7 in. (93 mm)

## Product Features

- For comfortable use on flat or uneven ground
- Unique three element design resulting in smooth rollover and superior stability
- Innovative Micro-Slice technology and split heel for multi-axial performance
- Low build height with great energy return



US Patent No. 9,011,554

## Ordering Information

- Includes foot, elastomer heel wedge, spectra sock and instruction manual
- Foot shell ordered separately

### Product Number

100-10-XX-XXX: Replace XX-XXX with the correct length and weight details from the table below

Weight		22 cm	23 cm	24 cm	25 cm	26 cm	27 cm	28 cm	29 cm	30 cm
100 – 119 lbs. / 45 – 54 kg		<b>22-A11</b>	<b>23-A11</b>	<b>24-A11</b>						
120 – 139 lbs. / 55 – 63 kg		<b>22-A11</b>	<b>23-A11</b>	<b>24-A11</b>	<b>25-A32</b>	<b>26-A32</b>				
140 – 159 lbs. / 64 – 72 kg		<b>22-A11</b>	<b>23-A11</b>	<b>24-A11</b>	<b>25-A32</b>	<b>26-A32</b>	<b>27-A43</b>	<b>28-A43</b>		
160 – 179 lbs. / 73 – 81 kg		<b>22-A22</b>	<b>23-A22</b>	<b>24-A22</b>	<b>25-A43</b>	<b>26-A43</b>	<b>27-A43</b>	<b>28-A43</b>	<b>29-C64</b>	<b>30-C64</b>
180 – 199 lbs. / 82 – 90 kg		<b>22-A22</b>	<b>23-A22</b>	<b>24-A22</b>	<b>25-A43</b>	<b>26-A43</b>	<b>27-B54</b>	<b>28-B54</b>	<b>29-C64</b>	<b>30-C64</b>
200 – 224 lbs. / 91 – 101 kg		<b>22-A32</b>	<b>23-A32</b>	<b>24-A32</b>	<b>25-B54</b>	<b>26-B54</b>	<b>27-B54</b>	<b>28-B54</b>	<b>29-D75</b>	<b>30-D75</b>
225 – 249 lbs. / 102 – 113 kg					<b>25-B54</b>	<b>26-B54</b>	<b>27-C65</b>	<b>28-C65</b>	<b>29-D75</b>	<b>30-D75</b>
250 – 275 lbs. / 114 – 125 kg					<b>25-C65</b>	<b>26-C65</b>	<b>27-C65</b>	<b>28-C65</b>	<b>29-D76</b>	<b>30-D76</b>
276 – 300 lbs. / 126 – 136 kg					<b>25-C65</b>	<b>26-C65</b>	<b>27-D65</b>	<b>28-D65</b>	<b>29-D76</b>	<b>30-D76</b>

## Foot Shell

Replace XX with foot size: 22 – 30 cm

Color	Left	Right
03	<b>45-XX-13-03-3</b>	<b>46-XX-13-03-3</b>
09	<b>45-XX-13-09-3</b>	<b>46-XX-13-09-3</b>
13	<b>45-XX-13-13-3</b>	<b>46-XX-13-13-3</b>
99	<b>45-XX-13-99-3</b>	<b>46-XX-13-99-3</b>



# Wave Comfort 3



## Specifications

Weight limit: 330 lbs. (150 kg)	Size	Build height
Heel height: 0.4 in. (10 mm)	22 – 24 cm	3.7 in. (95 mm)
Product weight: 13.2 oz. (374 g) Size 27	25 – 30 cm	4.0 in. (102 mm)

## Product Features

- Exceptional level of comfort for the low to moderate activity user
- Shock absorption when walking and standing
- Smooth rollover and enhanced plantarflexion for early stance phase stability
- Adjustable heel stiffness with replaceable bumper



## Ordering Information

- Includes foot, heel bumpers, spectra sock and instruction manual

### Product Number

135-10-XX-XXX: Replace XX-XXX with the correct length and weight details from the table below

### Foot selection requires foot length and weight

Weight		22 cm	23 cm	24 cm	25 cm	26 cm	27 cm	28 cm	29 cm	30 cm
97 – 110 lbs. 44 – 50 kg		22-A2R	23-A2R	24-A2R	25-B4R	26-B4R				
111 – 132 lbs. 51 – 60 kg		22-A2R	23-A2R	24-A2R	25-B4R	26-B4R	27-B4R	28-B4R		
133 – 154 lbs. 61 – 70 kg		22-A2R	23-A2R	24-A2R	25-B4R	26-B4R	27-B4R	28-B4R	29-C5R	30-C5R
155 – 176 lbs. 71 – 80 kg		22-B3R	23-B3R	24-B3R	25-B4R	26-B4R	27-C5R	28-C5R	29-C5R	30-C5R
177 – 198 lbs. 81 – 90 kg		22-B3R	23-B3R	24-B3R	25-C5R	26-C5R	27-C5R	28-C5R	29-D6R	30-D6R
199 – 220 lbs. 91 – 100 kg		22-C4R	23-C4R	24-C4R	25-C5R	26-C5R	27-D6R	28-D6R	29-D6R	30-D6R
221 – 246 lbs. 101 – 112 kg		22-C4R	23-C4R	24-C4R	25-D6R	26-D6R	27-D6R	28-D6R	29-E7R	30-E7R
247 – 275 lbs. 113 – 125 kg		22-C4R	23-C4R	24-C4R	25-D6R	26-D6R	27-E7R	28-E7R	29-E7R	30-E7R
276 – 300 lbs. 126 – 136 kg					25-E7R	26-E7R	27-E7R	28-E7R	29-F8R	30-F8R
302 – 331 lbs. 137 – 150 kg					25-E7R	26-E7R	27-E7R	28-E7R	29-F8R	30-F8R

## Foot Shell

Replace XX with foot size: 22 – 30 cm



Color	Left	Right
03	45-XX-13-03-3	46-XX-13-03-3
09	45-XX-13-09-3	46-XX-13-09-3
13	45-XX-13-13-3	46-XX-13-13-3
99	45-XX-13-99-3	46-XX-13-99-3



# Aeris Activity



## Specifications

Weight limit: 275 lbs. (125 kg)	Size	Build height
Product weight: 17.6 oz. (500 g) excl. bracket	22 – 24	1.50 in. (38 mm)
	25 – 30	1.75 in. (44 mm)

## Product Features

- Low build height for Syme and Boyd amputations
- Split keel design allows multi-axial motion
- Dynamic carbon composite design for great energy return
- Includes posterior mount bracket for fabrication ease

## Ordering Information

- Includes foot, mounting bracket and instruction manual



## Product Number

131-10-XX-X: Replace XX-X with the correct length and weight details from the table below.

Weight		22 cm	23 cm	24 cm	25 cm	26 cm	27 cm	28 cm	29 cm	30 cm
99 – 130 lbs.	45 – 59 kg.	<b>22-B</b>	<b>23-B</b>	<b>24-B</b>						
131 – 163 lbs.	60 – 74 kg.	<b>22-C</b>	<b>23-C</b>	<b>24-C</b>	<b>25-D</b>	<b>26-D</b>	<b>27-E</b>	<b>28-E</b>		
164 – 200 lbs.	75 – 90 kg.	<b>22-D</b>	<b>23-D</b>	<b>24-D</b>	<b>25-E</b>	<b>26-E</b>	<b>27-F</b>	<b>28-F</b>	<b>29-G</b>	<b>30-G</b>
201 – 236 lbs.	91 – 107 kg.	<b>22-E</b>	<b>23-E</b>	<b>24-E</b>	<b>25-F</b>	<b>26-F</b>	<b>27-G</b>	<b>28-G</b>	<b>29-H</b>	<b>30-H</b>
237 – 275 lbs.	108 – 125 kg.	<b>22-F</b>	<b>23-F</b>	<b>24-F</b>	<b>25-G</b>	<b>26-G</b>	<b>27-H</b>	<b>28-H</b>	<b>29-H</b>	<b>30-H</b>

## Posterior Mounting Bracket

Description	Material	Part Number
Posterior Mounting Bracket	Aluminum	<b>180-10-2010</b>



## Foot Shell

Replace XX with foot size: 22 – 30 cm

Color	Left	Right
03	<b>45-XX-13-03-3</b>	<b>46-XX-13-03-3</b>
09	<b>45-XX-13-09-3</b>	<b>46-XX-13-09-3</b>
13	<b>45-XX-13-13-3</b>	<b>46-XX-13-13-3</b>
99	<b>45-XX-13-99-3</b>	<b>46-XX-13-99-3</b>



# K2 Foot



## Specifications

Weight limit: 365 lbs. (166 kg)	Size	Build height
Heel height: 0.4 in. (10 mm)	22 – 28 cm	3.1 in. (78 mm)
Product weight without shell: 15.2 oz. (431 g)	29 – 30 cm	3.6 in. (92 mm)
Product weight with shell: 23.2 oz. (658 g)		



## Product Features

- Unique flexible keel/multi-axis design
- Flexible, impact reducing design
- Roll-Over Shape (ROS) designed for a natural gait
- Compliant dynamics for comfort and stability
- Foot comes assembled in foot shell

## Ordering Information

- Includes foot, foot shell, and instruction manual

### Product Number

Replace XX-XX with the correct length and weight details from the table below.

Color	Left	Right
03	134-03L-XX-X	134-03R-XX-X
09	134-09L-XX-X	134-09R-XX-X
13	134-13L-XX-X	134-13R-XX-X
99	134-99L-XX-X	134-99R-XX-X



### Foot selection requires foot length and weight

Weight		22 cm	23 cm	24 cm	25 cm	26 cm	27 cm	28 cm	29 cm	30 cm
99 – 130 lbs.	45 – 59 kg	22-A	23-A	24-A	25-B	26-B	27-B	28-B	29-D	20-D
131 – 163 lbs.	60 – 74 kg	22-A	23-A	24-A	25-B	26-B	27-C	28-C	29-D	30-D
164 – 198 lbs.	75 – 90 kg	22-B	23-B	24-B	25-C	26-C	27-C	28-C	29-D	30-D
199 – 235 lbs.	91 – 107 kg	22-B	23-B	24-B	25-C	26-C	27-D	28-D	29-E	30-E
236 – 275 lbs.	108 – 125 kg	22-C	23-C	24-C	25-D	26-D	27-D	28-D	29-E	30-E
276 – 365 lbs.	126 – 166 kg	22-D	23-D	24-D	25-E	26-E	27-E	28-E	29-F	30-F

## Replacement Foot Shell



Replace XX with foot size: 22 – 30 cm

Color	Left	Right
03	45-XX-13-03-3	46-XX-13-03-3
09	45-XX-13-09-3	46-XX-13-09-3
13	45-XX-13-13-3	46-XX-13-13-3
99	45-XX-13-99-3	46-XX-13-99-3



# Motion Foot® MX — Hydraulic Ankle



- K2
- K3
- TT
- TF

## Specifications

Weight limit: 220 lbs. (100 kg)	Size	Build height
Heel height: 0.4 - 1.6 in. (10 - 40 mm)	22 - 30 cm	3.7 in. (94 mm)
Product weight: 28 oz. (795 g) Size 27		



## Product Features

- Adjustable plantarflexion and dorsiflexion with 50° hydraulic ROM
- Multi-axial foot plate with split toe for inversion/eversion on varied terrain
- Continuously variable fulcrum keel design provides smooth rollover from heel to toe
- Manual lock for driving, donning shoes and socks, etc.

## Ordering Information

- Includes foot, foot shell, tool kit, spectra sock and instruction manual

### Product Number

Weight		22 cm	23 cm	24 cm	25 cm	26 cm	27 cm	28 cm	29 cm	30 cm
100 - 130 lbs. 45 - 59 kg		5020020	5020022	5020024	5020026	5020030				
131 - 161 lbs. 60 - 72 kg		5020020	5020022	5020024	5020026	5020030	5020034	5020038		
162 - 192 lbs. 73 - 87 kg		5020021	5020023	5020025	5020027	5020031	5020035	5020039	5020042	5020046
193 - 220 lbs. 88 - 100 kg		5020021	5020023	5020025	5020028	5020032	5020036	5020040	5020043	5020047
193 - 220 lbs.* 88 - 100 kg*					5020029	5020033	5020037	5020041	5020044	5020048

\* For high activity users

## Foot Shell (Included)

Replace XX with foot size: 22 - 30 cm

Color	Left	Right
03	45-XX-13-03-3	46-XX-13-03-3
09	45-XX-13-09-3	46-XX-13-09-3
13	45-XX-13-13-3	46-XX-13-13-3
99	45-XX-13-99-3	46-XX-13-99-3



## Adjustable Alignment Bracket



The bracket is for in-clinic fitting only — it is not a permanent mounting solution, but rather a fitting tool. The bracket is compatible with the Formula and AllPro Posterior Mount feet.



Adult

Pediatric

### Ordering Information

Compatible Foot	Patient Weight	Weight	Dimensions	Socket Offset Distance	Part Number
AllPro PM	330 lbs. (150 kg)	4.8 oz. (136 g)	4.0 × 3.3 × 1.8 in. (100 × 83 × 46.4 mm)	0.16 in. (4 mm)	<b>180-10-4000</b>
Formula™	330 lbs. (150 kg)	4.8 oz. (136 g)	4.0 × 3.3 × 1.8 in. (100 × 83 × 46.4 mm)	0.16 in. (4 mm)	<b>180-10-4000</b>
Pediatric Formula™	132 lbs. (60 kg)	4.8 oz. (136 g)	3.7 × 2.9 × 1.0 in. (95 × 73 × 25 mm)	0.16 in. (4 mm)	<b>180-10-5000</b>

## Posterior Mount Transfer Fixture



The Posterior Mount Transfer Fixture attaches to the Hosmer VFJ and allows for quick adjustment of rotation and linear adjustment of alignment. It can be used with all Fillauer Posterior Mounting Brackets and Adjustable Alignment Brackets (Adult and Pediatric versions).



### Ordering Information

Description	Part Number
Posterior Mount Transfer Fixture	<b>52090</b>
Vertical Fabricating Fixture, VFJ-100	<b>52056</b>

## Posterior Mounting Brackets



Once correct alignment has been determined using the Adjustable Alignment Bracket, the foot can be mounted using the Posterior Mounting Bracket.



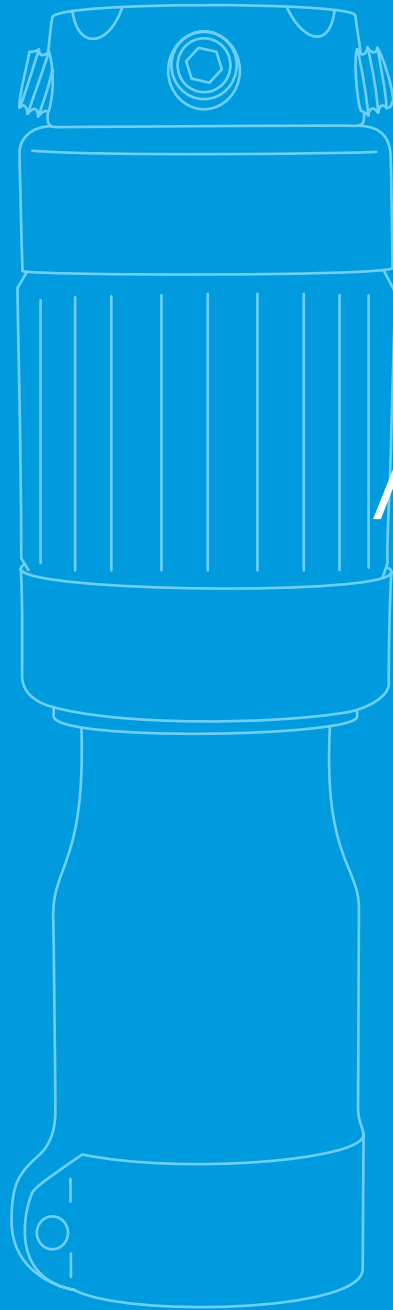
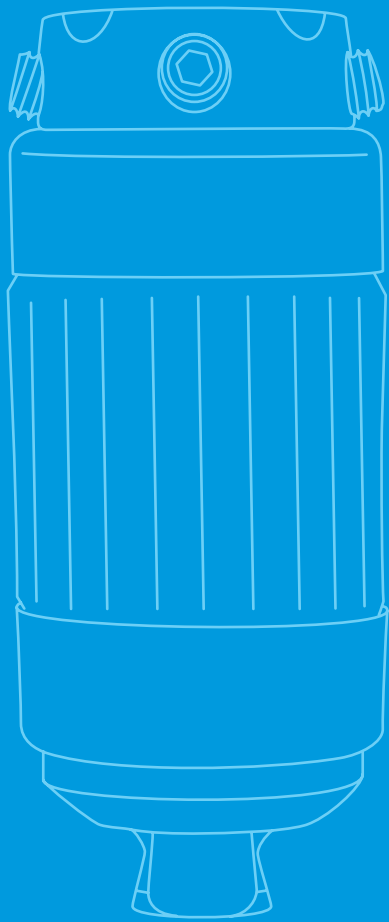
Adult

Pediatric

### Ordering Information

Compatible Foot	Patient Weight	Weight	Plate Thickness	Part Number
Aeris Activity	330 lbs. (150 kg)	3.1 oz. (87 g)	0.3 in. (8.6 mm)	<b>180-10-2000</b>
AllPro PM	330 lbs. (150 kg)	3.1 oz. (87 g)	0.3 in. (8.6 mm)	<b>180-10-2010</b>
Formula™	330 lbs. (150 kg)	3.1 oz. (87 g)	0.3 in. (8.6 mm)	<b>180-10-2010</b>
Running Blade	330 lbs. (150 kg)	3.1 oz. (87 g)	0.3 in. (8.6 mm)	<b>180-10-2010</b>
Pediatric Formula™	125 lbs. (57 kg)	3.4 oz. (95 g)	0.3 in. (8.5 mm)	<b>180-10-3000</b>





Adapters

## Aluminum 30 mm Pylon

TT TF

### Ordering Information

Material	Length	Weight	Weight Rating	Product Number
Aluminum	10 in. (254 mm)	5.1 oz. (145 g)	300 lbs. (136 kg)	<b>125032</b>
Aluminum	17 in. (432 mm)	8.8 oz. (250 g)	300 lbs. (136 kg)	<b>125034</b>
Aluminum	36 in. (914 mm)	17.6 oz. (499 g)	300 lbs. (136 kg)	<b>238024</b>



## 30 mm Pylon with Adapter

TT TF

### Ordering Information

Adapter Material	Length	Weight	Weight Rating	Product Number
Titanium	11.8 in. (300 mm)	8.0 oz. (228 g)	300 lbs. (136 kg)	<b>60246</b>
Stainless Steel	11.8 in. (300 mm)	10.0 oz. (283 g)	300 lbs. (136 kg)	<b>60430</b>
Titanium	15.7 in. (400 mm)	11.5 oz. (326 g)	300 lbs. (136 kg)	<b>60245</b>
Stainless Steel	15.7 in. (400 mm)	12.7 oz. (360 g)	300 lbs. (136 kg)	<b>60429</b>



## 30 mm Short Tube Adapter

TT TF

### Ordering Information

Material	Length	Weight	Weight Rating	Product Number
Titanium	3.9 in. (100 mm)	3.9 oz. (110 g)	300 lbs. (136 kg)	<b>60558</b>
Aluminum	7.9 in. (200 mm)	5.9 oz. (166 g)	220 lbs. (100 kg)	<b>61352</b>



# DuraShock



## Specifications

- Weight limit: 220 lbs. (100 kg)
- Weight limit HD: 250 lbs. (113 kg)
- Axial rotation: 60° of axial rotation (30° in each direction)
- Pylon Diameter: 30 mm
- HD Pylon Diameter: 34 mm

## Product Features

- Vertical shock absorption
- Reduces rotational force to residual limb
- 4 stiffness options matched to weight/activity
- Maintenance free
- Includes dampening ring and cosmetic sleeve
- Water resistant



U.S. Patent No. 6468315 & 6682569

## Ordering Information

### DuraShock Long Pylon

	Color	Moderate Activity Level	High Activity	Build Height	Weight	Product Number
A	Red	< 144 lbs. (65 kg)	< 139 lbs. (63 kg)	5.8 – 10.6 in. (146 – 270 mm)	15 oz. (428 g)	<b>DS003L</b>
B	Blue	145 – 179 lbs. (68 – 81 kg)	140 – 169 lbs. (64 – 76 kg)	5.8 – 10.6 in. (146 – 270 mm)	15 oz. (428 g)	<b>DS002L</b>
C	Black	180 – 220 lbs. (82 – 100 kg)	170 – 200 lbs. (77 – 91 kg)	5.8 – 10.6 in. (146 – 270 mm)	15 oz. (428 g)	<b>DS001L</b>
D	HD	220 – 250 lbs. (100 – 113 kg)	200 – 230 lbs. (91 – 104 kg)	6.8 – 10.7 in. (171 – 273 mm)	21.7 oz. (609 g)	<b>DS004L</b>



U.S. Patent No. 6468315 & 6682569

### DuraShock Short Pylon

	Color	Moderate Activity Level	High Activity	Build Height	Weight	Product Number
E	Red	< 144 lbs. (65 kg)	< 139 lbs. (63 kg)	4.8 – 7.5 in. (114 – 190 mm)	11 oz. (318 g)	<b>DS003S</b>
F	Blue	145 – 179 lbs. (68 – 81 kg)	140 – 169 lbs. (64 – 76 kg)	4.8 – 7.5 in. (114 – 190 mm)	11 oz. (318 g)	<b>DS002S</b>
G	Black	180 – 220 lbs. (82 – 100 kg)	170 – 200 lbs. (77 – 91 kg)	4.8 – 7.5 in. (114 – 190 mm)	11 oz. (318 g)	<b>DS001S</b>
H	HD	220 – 250 lbs. (100 – 113 kg)	200 – 230 lbs. (91 – 104 kg)	5 – 6.9 in. (127 – 175 mm)	15.2 oz. (425 g)	<b>DS004S</b>

## Replacement Parts

- 128265 – Dampening Ring, 30 mm and 34 mm
- DS009A – Alignment Adjustment Screw, 5/16-24, Stainless Steel

NOTE: Weights are a suggested guide for torque and shock performance. Individual preference and performance will vary. The dampening ring included with each pylon is used to reduce the amount of rotation and vertical compression.

# DuraShock with Tube Clamp



## Specifications

Weight limit: 220 lbs. (100 kg)  
 Product weight: 11.6 oz. (330 g)  
 Durability: Meets ISO 10328



## Ordering Information

U.S. Patent No. 6468315 & 6682569

Color	Moderate Activity Level	High Activity Level	Build Height	Weight	Product Number
Red	< 144 lbs. (65 kg)	< 139 lbs. (63 kg)	6 in. (152 mm)	11.6 oz. (330 g)	<b>DS003SC</b>
Blue	145 – 179 lbs. (66 – 81 kg)	140 – 169 lbs. (64 – 77 kg)	6 in. (152 mm)	11.6 oz. (330 g)	<b>DS002SC</b>
Black	180 – 220 lbs. (82 – 100 kg)	170 – 200 lbs. (77-91 kg)	6 in. (152 mm)	11.6 oz. (330 g)	<b>DS001SC</b>

NOTE: Weights are a suggested guide for torque and shock performance. Individual preference and performance will vary. The dampening ring included with each pylon is used to reduce the amount of rotation and vertical compression.

# DuraShock Short



## Specifications

Weight limit: 275 lbs. (125 kg)  
 Weight limit HD: 300 lbs. (136 kg)  
 Product weight: 11.6 oz. (330 g)  
 Durability: Meets ISO 10328



## Ordering Information

U.S. Patent No. 6468315 & 6682569

Color	Moderate Activity Level	High Activity Level	Build Height	Weight	Product Number
Red	< 144 lbs. (65 kg)	< 139 lbs. (63 kg)	3.5 in. (89 mm)	10.6 oz. (300 g)	<b>DS003SS</b>
Blue	145 – 179 lbs. (66 – 81 kg)	140 – 169 lbs. (64 – 76 kg)	3.5 in. (89 mm)	10.6 oz. (300 g)	<b>DS002SS</b>
Black	180 – 220 lbs. (82 – 100 kg)	170 – 200 lbs. (77 – 91 kg)	3.5 in. (89 mm)	10.6 oz. (300 g)	<b>DS001SS</b>
HD	220 – 300 lbs. (100 -136 kg)	200 – 250 lbs. (91 – 113 kg)	4.3 in. (108 mm)	16.2 oz. (460 g)	<b>DS004SS</b>

NOTE: Weights are a suggested guide for torque and shock performance. Individual preference and performance will vary. The dampening ring included with each pylon is used to reduce the amount of rotation and vertical compression.

# ALP-ALU 4-Hole Adapter



## Specifications

Weight limit: 275 lbs. (125 kg)

Build height: 2.7 in. (70 mm)

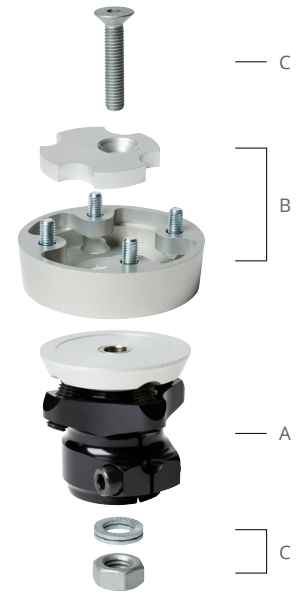
Product weight: 9.4 oz. (266 g)

Horizontal slide: 0.9 in. (23 mm)

Angle adjustment: 20°

Tube clamp: for 30 mm tube

Material: Aluminum



## Ordering Information

Description	Product Number
Double Adapter	<b>731163180</b>

Replacement Parts	
A	731163181 – Alp-Alu body
B	731163182 – 4-hole adapter, Washer & Screws (4 pcs)
C	731162161 – M8 × 40 mm dacrom Screw, M8 nut, and M8 locking washer

# Pylon Tube Clamp with Pyramid Receiver



## Specifications

Weight limit: 300 lbs. (136 kg)

Tube diameter: 30 mm



## Ordering Information

Material	Build Height	Weight	Product Number
Aluminum	2.1 in. (53 mm)	3.2 oz. (92 g)	<b>124170</b>
Stainless Steel	1.9 in. (48 mm)	4.2 oz. (120 g)	<b>60400</b>
Titanium	1.9 in. (48 mm)	2.7 oz. (76 g)	<b>60247</b>

# Dual Adapter



## Specifications

Tube diameter: 30 mm

## Ordering Information

Material	Weight Limit	Build Height	Weight	Product Number
Aluminum	220 lbs. (100 kg)	32 mm	2.4 oz. (68 g)	<b>61361</b>
Aluminum	220 lbs. (100 kg)	45 mm	2.8 oz. (80 g)	<b>61362</b>
Aluminum	220 lbs. (100 kg)	60 mm	3.3 oz. (93 g)	<b>61363</b>
Aluminum	220 lbs. (100 kg)	75 mm	3.7 oz. (106 g)	<b>61364</b>
Titanium	300 lbs. (136 kg)	32 mm	2.8 oz. (80 g)	<b>60306</b>
Titanium	300 lbs. (136 kg)	45 mm	3.2 oz. (91 g)	<b>60439</b>
Titanium	300 lbs. (136 kg)	60 mm	3.6 oz. (102 g)	<b>60440</b>
Titanium	300 lbs. (136 kg)	75 mm	4.2 oz. (118 g)	<b>60441</b>

# Double Adapter Pyramid Male / Female



## Specifications

Weight limit: 275 lbs. (125 kg)

Product weight: 2.8 oz. (79 gram)

Build height: 0.7 in. (18 mm)

Material: Titanium

## Ordering Information

Description	Product Number
Double Adapter	<b>731162126</b>

# 4-Hole Pyramid Adapter



## Specifications

Weight limit: 300 lbs. (136 kg)

## Product Features

- Includes screws

Build height: 0.3 in. (8 mm)

## Ordering Information

Description	Through Hole	Material	Weight	Product Number
4-Hole Pyramid Adapter	Yes	Aluminum with Titanium Pyramid	1.8 oz. (50 g)	<b>124178</b>
4-Hole Pyramid Adapter	No	Aluminum with Titanium Pyramid	1.9 oz. (55 g)	<b>124180</b>
4-Hole Pyramid Adapter	Yes	Titanium	1.8 oz. (50 g)	<b>60254</b>
4-Hole Pyramid Adapter	No	Stainless Steel	3.7 oz. (104 g)	<b>60416</b>

# Rotatable Adapter

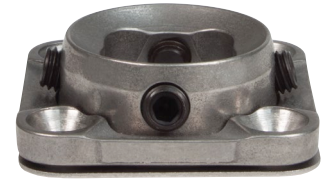


## Specifications

Weight limit: 300 lbs. (136 kg)  
Build height: 0.7 in. (18 mm)

## Product Features

- Includes back plate and screws



## Ordering Information

Description	Material	Weight	Product Number
Rotatable Adapter	Titanium	2.9 oz. (82 g)	<b>60293</b>
Rotatable Adapter	Stainless Steel	4.4 oz. (126 g)	<b>60435</b>

# Rotatable Pyramid Adapter



## Specifications

Weight limit: 300 lbs. (136 kg)  
Build height: 0.5 in. (13 mm)

## Product Features

- Includes back plate and screws



## Ordering Information

Description	Material	Weight	Product Number
Rotatable Pyramid Adapter	Titanium	4.6 oz. (129 g)	<b>61100</b>

# 4-Hole Adapter with Rotation



## Specifications

Weight limit: 300 lbs. (136 kg)  
Material: Stainless steel



124100



60544



60314

## Ordering Information

Description	Attachment	Build Height	Product Weight	Material	Product Number
Adult 4-Hole Adapter with Rotation		0.3 in. (8.5 mm)	1.8 oz. (51 g)	Titanium	<b>124100</b>
Threaded Pyramid	Threaded Pyramid	0.3 in. (7 mm)	3.2 oz. (92 g)	Stainless Steel	<b>60544</b>
Rotatable Pyramid Receiver	Rotatable Pyramid Receiver	0.5 in. (13 mm)	2.9 oz. (81 g)	Stainless Steel	<b>60314</b>

## 4-Prong BK Adapter with Pyramid



TT



124181



60324



60457

### Ordering Information

Through Hole	Material	Weight Limit	Build Height	Weight	Product Number
No	Stainless Steel	220 lbs. (100 kg)	0.3 in. (7.5 mm)	3.3 oz. (94 g)	<b>124181</b>
No	Stainless Steel	220 lbs. (100 kg)	0.4 in. (9 mm)	3.0 oz. (85 g)	<b>60324</b>
Yes	Stainless Steel	220 lbs. (100 kg)	0.4 in. (9 mm)	2.8 oz. (79 g)	<b>60457</b>
Yes	Titanium	300 lbs. (136 kg)	0.4 in. (9 mm)	1.8 oz. (50 g)	<b>61134</b>

## Above Knee Socket Adapter



TF

### Product Features

- Includes lamination adapter



### Ordering Information

Attachment	Material	Weight Limit	Build Height	Weight	Product Number
Pyramid	Stainless Steel	300 lbs. (136 kg)	0.4 in. (11 mm)	4.5 oz. (127 g)	<b>60325</b>

# Above Knee Rotatable Socket Adapters



TF

## Specifications

Weight limit: 300 lbs. (136 kg)

Material: Stainless steel



60576



60312



60544



60314

## Ordering Information

Description	Attachment	Build Height	Weight	Product Number
AK Rotatable Socket Adapter	Pyramid	0.6 in. (15 mm)	6.9 oz. (195 g)	<b>60576</b>
AK Rotatable Socket Adapter	Pyramid Receiver	0.9 in. (22 mm)	6.5 oz. (185 g)	<b>60312</b>
Threaded Pyramid	Pyramid	0.3 in. (7 mm)	3.2 oz. (92 g)	<b>60544</b>
Rotatable Pyramid Receiver	Pyramid Receiver	0.9 in. (22 mm)	2.9 oz. (81 g)	<b>60314</b>

# Trans-Femoral Rotator



TF

## Specifications

Weight limit: 300 lbs. (136 kg)

Build height: 0.85 in. (21 mm)

Product weight: 6.7 oz. (191 g)

Rotation: 360°

## Product Features

- Smooth, secure locking mechanism
- One hand push-button operation
- Automatic relock feature
- Eases entering and exiting automobiles
- Permits cross-legged sitting



## Ordering Information

Description	Product Number
Trans-Femoral Rotator	<b>62588</b>

# SFX (Stance Flexion Adapter)



## Specifications

**Weight limit:** 275 lbs. (125 kg)

**Build height:** 1.95 in. (49.5 mm)

**Product weight:** 8.48 oz. (241 g)

**Axial rotation:** 10°

**Material:** Aluminum

**Durability:** Meets ISO 10328



## Product Features

- 3 stiffness options
- Improved stability and balance
- Absorbs shock for smoother gait
- Adjustable up to 10°
- Adds adjustable stance flexion to most endoskeletal knee systems

## Ordering Information

Description	Color	Product Number
SFX Adapter, Soft	Red	62662
SFX Adapter, Medium	Blue	62762
SFX Adapter, Hard	Black	62763

# XD Heavy Duty 34 mm Pylon



TT TF

## Specifications

Weight limit: 440 lbs. (200 kg)      Material: Carbon fiber  
 Tube length: 16.9 in. (430 mm)      Diameter: 34 mm  
 Product weight: 11.4 oz. (322 g)



## Ordering Information

Description	Product Number
XD Pylon	126133

# XD Heavy Duty Tube Clamp Adapter for 34 mm Tube



TT TF

## Specifications

Weight limit: 440 lbs. (200 kg)      Diameter: 34 mm  
 Build height: 2.1 in. (53 mm)      Material: Titanium  
 Product weight: 3.0 oz. (84 g)      Size: Use with XD only



## Ordering Information

Description	Product Number
XD Tube Clamp Adapter	126100

## XD Heavy Duty 4-Prong Pyramid



### Specifications

Weight limit: 440 lbs. (200 kg)

Build height: 0.7 in. (17.5 mm)

Product weight: 4.6 oz. (131 g)

Material: Titanium

Size: Use with XD only



### Ordering Information

Description	Product Number
XD 4-Prong Pyramid	126120

## XD Heavy Duty 4-Prong Receiver



### Specifications

Weight limit: 440 lbs. (200 kg)

Build height: 0.75 in. (19 mm)

Product weight: 3 oz. (87 g)

Material: Titanium

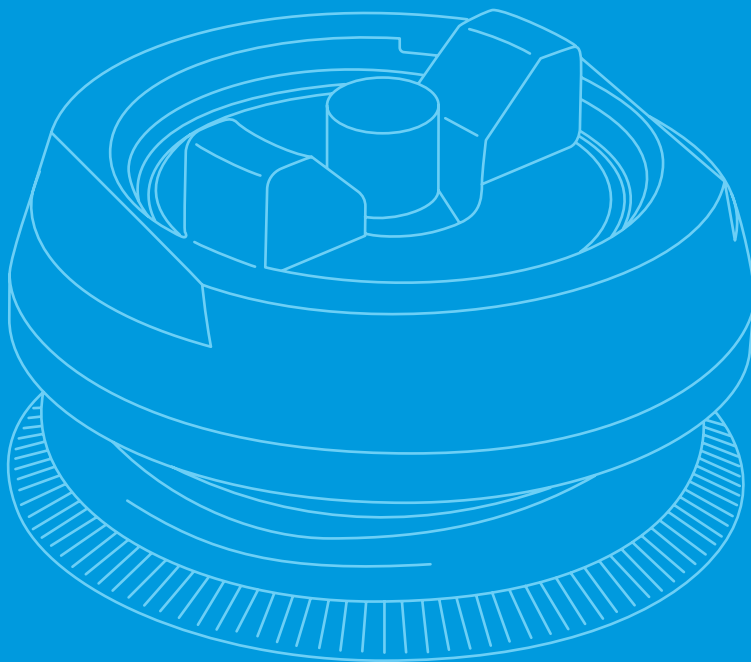
Size: Use with XD only



### Ordering Information

Description	Product Number
XD 4-Prong Receiver	126122

# Valves



# Prosthetic Valves

Name	Use	Diameter	Height	Housing Material	Body Material	Push/Pull	Product Number
Red Dot Total Contact Valve	Lamination	32 mm	22 mm	Al	Al	Push	<b>51936</b>
Plastic and Aluminum Screw-In Suction Valve	Lamination	32 mm	11 mm	Al	ABS	Pull	<b>51971</b>
Leak-Rate Total Contact Valve	Lamination	32 mm	13 mm	Al	Al	Leak Rate	<b>51982</b>
Sierra Screw-In Suction Valve	Lamination	35 mm	9.5 mm	Al	Al	Pull	<b>52351</b>
SFS Adjustable Leak Rate Valve	Thermoplastic	38 mm	18 mm	Delrin	Delrin	Push	<b>807479</b>
SFS Adjustable Leak Rate with Adhesive Valve	Thermoplastic	38 mm	18 mm	Delrin	Delrin	Push	<b>807480</b>
SFS Leak Rate Valve	Thermoplastic	38 mm	18 mm	Delrin	Delrin	Push	<b>807487</b>
SFS Leak Rate w/ Adhesive Valve	Thermoplastic	38 mm	18 mm	Delrin	Delrin	Push	<b>807488</b>
CTFV-CSF Valve	Thermoplastic	39 mm	23 mm	SS	Delrin	Push	<b>721000039</b>
Mini Valve	Both	9 mm	12 mm	SS	SS	Auto	<b>721000060</b>
CSS Valve Kit	Lamination	12 mm	8 mm	Al	Al	Auto	<b>721000089</b>

# Red Dot Air Expulsion Valve



TT TF

## Specifications

**Diameter:** 1.3 in. (32 mm)  
**Height:** 0.9 in. (22 mm)  
**Material:** Aluminum body

## Product Features

- Simple push button design, releases suction suspension of the socket

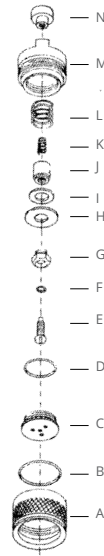


## Ordering Information

Description	Product Number
Red Dot Valve	51936

## Replacement Parts

A	51937 - Body	H	51942 - Flapper
B	51939 - O-Ring	I	51949 - Washer
C	51946 - Seat	J	51940 - Stern
D	59316 - O-Ring	K	51943 - Spring
E	51944 - Plunger	L	51948 - Flapper spring
F	51945 - O-Ring	M	51938 - Insert
G	51950 - Bolt	N	51941 - Button



# Plastic and Aluminum Screw-In Suction Valve



TT TF

## Specifications

**Head diameter:** 1.3 in. (32 mm)  
**Height:** 0.4 in. (11 mm)  
**Material:** Aluminum and ABS

## Product Features

- Includes aluminum housing and Delrin insert with neoprene seals
- Housing is 7/16 in. long to permit use in walled socket
- Easy to manipulate large valve release button



## Ordering Information

Description	Product Number
Plastic-Aluminum Suction Valve, TCV-300	51971
Plastic-Aluminum Suction Valve, Insert Only, TCV-350	51980

# Leak-Rate Total Contact Valve



TT TF

## Specifications

Head diameter: 1.3 in. (32 mm)

Height: 0.5 in. (13 mm)

Material: Aluminum

## Product Features

- Permits controlled rate of airflow through valve when amputee stands or walks, allowing noiseless expulsion of air from socket
- Unique nylon ball-check provides one-way air flow adjustable by an external screw
- Once properly adjusted, no further adjustment is required



## Ordering Information

Description	Product Number
Leak-Rate Total Contact Valve, TCV -400L; 1 in. (2.5 cm) Long	51981
Leak-Rate Total Contact Valve, Insert Only, TCV-450L	52001
Leak-Rate Total Contact Valve, TCV-400S; 0.5 in. (1.3 cm) Long	51982
Leak-Rate Total Contact Valve, Insert Only, TCV-450S	52002

# Sierra Screw-In Suction Valve



TT TF

## Specifications

Head diameter: 1.4 in. (35 mm)

Height: 0.4 in. (9.5 mm)

Material: Aluminum

## Product Features

- Maintains constant negative pressure within socket
- Preset to expel air approximately one pound per square inch pressure
- Thin design, recessed button and flush inner surfaces
- Easy to install or remove



## Ordering Information

Description	Product Number
Sierra Suction Valve, 03-00	52351
Sierra Suction Valve, Insert Only, 03-01	52290

# S.F.S. Valve (Scandinavian Flexible Socket)



## Specifications

Head diameter: 1.5 in. (38 mm)

Height: 0.7 in. (18 mm)

Material: Delrin

## Product Features

- Low profile for improved cosmesis
- Deep undercut vacuum channel with vacuum holes



## Ordering Information

Description	Product Number
Non-Adjustable Leak Rate, with Housing and Adhesive Coating	807488
Non-Adjustable Leak Rate with Housing	807487
Non-Adjustable Leak Rate, Valve Only	807461
Adjustable Leak Rate, with Housing and Adhesive Coating	807480
Adjustable Leak Rate, with Housing	807479
Adjustable Leak Rate, Valve Only	807453
Housing Only	807388

## Accessories

Description	Image	Product Number
Tool Kit and Accessories for S.F.S. Valve		
Velcro Retainer Kit, Includes 3 Each of Items Pictured	A	807412
Trim Tool, for S.F.S. Valve Housing	B	807396
<b>Replacement Parts</b>		
Replacement Blades, 2 Each Per Pack		807398
S.F.S. Valve Tap Tool	C	220010
Double Stick Tape, for Adhesive Coating	C	807446
¾ in. × 18 Yard Roll (Sold Per Roll, Not Pictured)	-	



# CTFV – CSF Valve



## Specifications

**Head diameter:** 1.5 in. (39 mm)

**Height:** 0.9 in. (23 mm)

**Material:** Stainless Steel & Delrin

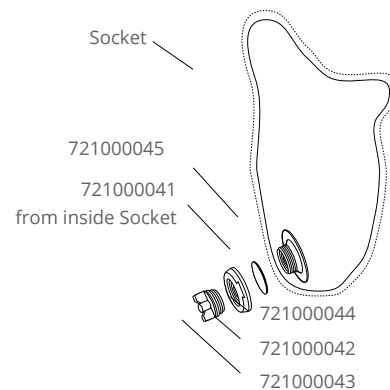
## Product Features

- Designed to be used with thermoplastic sockets
- Allows you to connect the socket to the frame
- Includes a silicone gasket to prevent air leaking into the socket



## Ordering Information

Description	Product Number
CTFV – CSF	<b>721000039</b>
<b>Replacement Parts</b>	
721000041 – Interior valve house	721000044 – Black valve gasket, LTFU
721000042 – Exterior valve house ring	721000045 – Silicone valve gasket for CSF
721000043 – Valve	



# Mini Valve for Vacuum Socket



## Specifications

**Head diameter:** 0.35 in. (9 mm)

**Body diameter:** 0.25 in. (6.5 mm)

**Length:** 0.5 in. (12 mm)

**Material:** Stainless Steel

## Product Features

- Ideal for use with cushion liners and airtight sleeve
- Easy installation
- One-way airflow



## Ordering Information

Description	Product Number
Mini Valve for Vacuum Socket	<b>721000060</b>

# CSS Valve



## Specifications

Head diameter: 0.47 in. (12 mm)

Material: Aluminium

Assembly: 4 mm hex key

## Product Features

- Permits air to exit the socket when amputee stands or walks
- Gives excellent suspension
- Kit includes: CSS Valve Lamination housing and plastic dummy



721000090



721000091

## Ordering Information

Description	Product Number
CSS Valve	721000090
CSS Valve with Lamination Housing	721000089
Lamination Housing with Plastic Dummy	721000091

# CSS Valve Kit with Pyramid Lamination Adapter



## Specifications

Valve diameter: 0.47 in. (12 mm)

Material: Aluminium (valve)  
Titanium (pyramid)

Weight limit: 276 lbs. (125 kg)

## Product Features

- Permits air to exit the socket when amputee stands or walks
- Kit includes: CSS valve Pyramid Lamination Adapter and silicone dummy

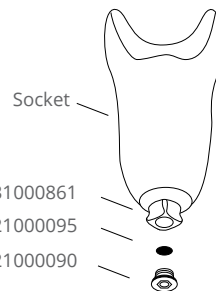


— 721000095

— Aluminum 731000861

— Titanium

721000090



731000861  
721000095  
721000090



711000124

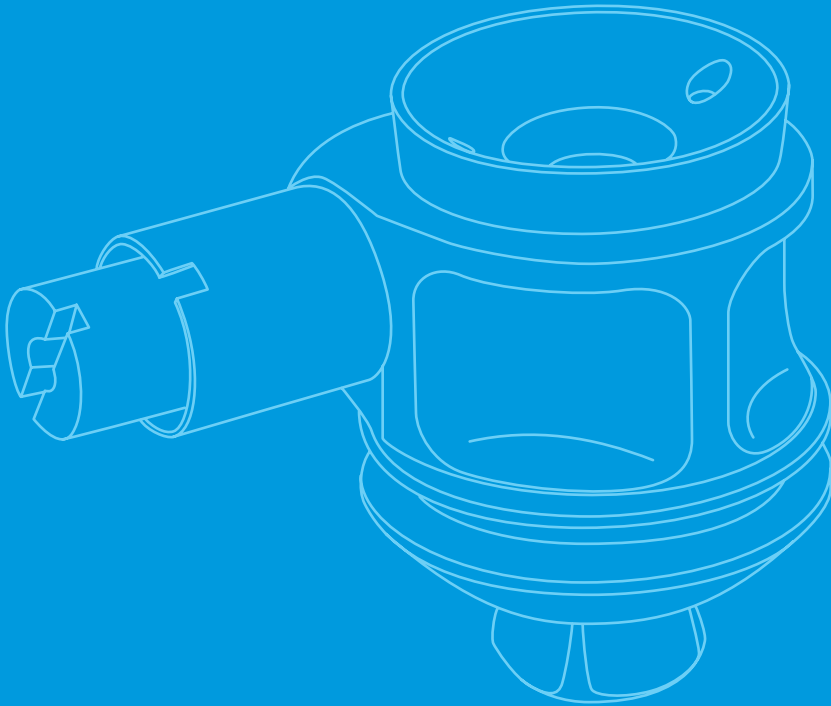
## Ordering Information

Description	Product Number
CSS valve with Pyramid Lamination Adapter	731000863

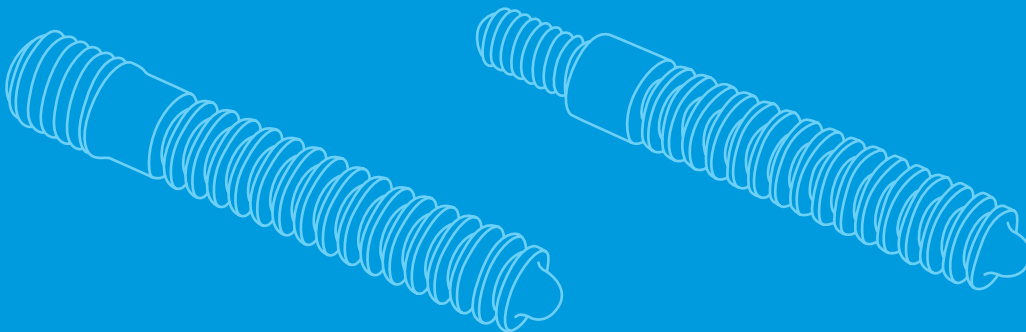
## Replacement Parts

721000090 – CSS Valve	731000861 – Titanium Pyramid lamination adapter
721000095 – Filter for CSS valve pyramid lamination adapter	711000124 – Lamination dummy, silicone





# Locks



# Lock System Chart



Original Shuttle Lock	Style	Distal Attachment	Weight Rating	Build Height	Item Number	Fabrication Kit Number	Plungers	Features
	Original	None	N/A	1 ¼ in. 3.2 cm	<b>125229</b>	<b>125239</b>	1, 1.5, 2, 2.5, 3 in.	
Modular Shuttle Locks	Style	Distal Attachment	Weight Rating	Build Height	Item Number	Fabrication Kit Number	Plungers	Features
	Ti Pyramid	Ti Pyramid	300 lbs. (136 kg)	1 ½ in. 3.8 cm**	<b>125460</b>	<b>125239</b>	1, 1.5, 2, 2.5, 3 in.	
	Delrin	None	N/A	1 ¼ in. 3.2 cm****	<b>125459</b>	<b>125239</b>	1, 1.5, 2, 2.5, 3 in.	
	Cylindrical	4-Hole	300 lbs. (136 kg)	1 in. 2.5 cm	<b>125462</b>	<b>125239</b>	1, 1.5, 2, 2.5, 3 in.	
	4-Hole	4-Hole	300 lbs. (136 kg)	1 ¼ in. 3.2 cm	<b>125461</b>	<b>125204</b>	1, 1.5, 2, 2.5, 3 in.	
	Green Cylindrical	4-Hole	300 lbs. (136 kg)	1 in. 2.5 cm	<b>125240</b>	<b>809867</b>	1, 1.5, 2, 2.5, 3 in.	—
Gator Grip Locks	Style	Distal Attachment	Weight Rating	Build Height	Item Number	Fabrication Kit Number	Plungers	Features
	Ti Pyramid	Ti Pyramid	300 lbs. (136 kg)	1 ½ in. 3.8 cm**	<b>141002</b>	<b>141020</b>	1, 1.5, 2 in.	
	Delrin	None	N/A	1 ¼ in. 3.2 cm	<b>141001</b>	<b>141020</b>	1, 1.5, 2 in.	
	Cylindrical	4-Hole	300 lbs. (136 kg)	1 ¼ in. 3.2 cm	<b>141003</b>	<b>141021</b>	1, 1.5, 2 in.	
Clutch Locks	Style	Distal Attachment	Weight Rating	Build Height	Item Number	Fabrication Kit Number	Plungers	Features
	Ti Pyramid	Ti Pyramid	300 lbs. (136 kg)	1 ¾ in. 4.4 cm**	<b>140010</b>	<b>140065</b>	1.5, 2 in.	
	Delrin	None	N/A	1 ⅝ in. 2.9 cm****	<b>140000</b>	<b>140065</b>	1.5, 2 in.	
	Cylindrical	4-Hole	300 lbs. (136 kg)	1 ¼ in. 3.2 cm	<b>140020</b>	<b>140065</b>	1.5, 2 in.	
Pediatric Modular Locks	Style	Distal Attachment	Weight Rating	Build Height	Item Number	Fabrication Kit Number	Plungers	Features
	Ti Pyramid	Med. Ti Pyramid	132 lbs. (60 kg)	1 ¼ in. 3.2 cm**	<b>FC100202</b>	<b>125420</b>	1, 1.5 in.	
	Delrin	None	N/A	⅞ in. 2.2 cm****	<b>125410</b>	<b>125420</b>	1, 1.5 in.	
	Cylindrical	Ped 4-Hole	132 lbs. (60 kg)	1 in. 2.5 cm	<b>FC100204</b>	<b>125420</b>	1, 1.5 in.	

\*Excludes Adapter \*\*To Mid-dome \*\*\*Mid-dome to top of thread \*\*\*\*Does not include pin dummy

Feet  
Adapters  
Valves  
Locks  
Sleeves & Liners  
Knees  
Cosmetic Solutions  
Auxiliary Suspension  
Pediatric

# Original Shuttle Lock



## Specifications

Product weight: 2.26 oz. (64.2 g)

Material: Delrin body

Build Height: 1.25 in. (32 mm)

Distal Attachment: None



## Ordering Information

Description	Product Number
Shuttle Lock Kit, without Plunger	125229
Shuttle Lock Kit, with Plunger 1.0 in. (25 mm), ¼-20 Thread	125234
Shuttle Lock Kit, with Plunger 1.5 in. (38 mm), ¼-20 Thread	125232
Shuttle Lock Kit, with Plunger 2.0 in. (51 mm), ¼-20 Thread	125237
Shuttle Lock Kit, with Plunger 1.0 in. (25 mm), M10 Thread	125234MM
Shuttle Lock Kit, with Plunger 1.5 in. (38 mm), M10 Thread	125232MM
Shuttle Lock Kit, with Plunger 2.0 in. (51 mm), M10 Thread	125237MM

## Replacement Parts

809747 – Shuttle lock body	809730 – Latch pin button
125345 – Button shield	809732 – Mounting nut
809712 – Guide screw assembly	809757 – Pe-Lite washers ¾ in.
809731 – Latch pin	809758 – Pe-Lite washers 1 in.

## Fabrication kit

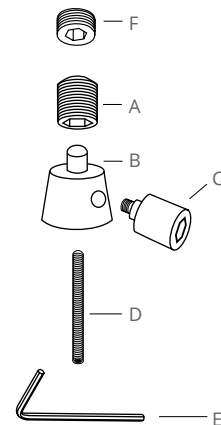
Description	Product Number
Fabrication Kit	125239

## Replacement Parts

A 125314 – Threaded plug, ¾-16 × 1 in.	D 880490 – Set screw, ⅝-18 × 2 in.
B 125315 – Distal socket plug	E 885347 – Hex key ¼ in.
C 125348 – Plug screw f/shield	F 880928 – Threaded plug screw, ¾-16 × ⅝ in.

## Shuttle lock plungers

Description	Product Number
Plunger 1.0 in. (25 mm), ¼-20 Thread	809722
Plunger 1.5 in. (38 mm), ¼-20 Thread	809725
Plunger 2.0 in. (51 mm), ¼-20 Thread	809727
Plunger 1.0 in. (25 mm), M10 Thread	809722MM
Plunger 1.5 in. (38 mm), M10 Thread	809725MM
Plunger 2.0 in. (51 mm), M10 Thread	809727MM
Plunger 2.5 in. (64 mm), M10 Thread	809720MM
Plunger 3.0 in. (76 mm), M10 Thread	809721MM



# Modular Shuttle Lock with Titanium Pyramid



## Specifications

Weight limit: 300 lbs. (136 kg)

Build Height: 1.5 in. (38 mm)

Product weight: 4.3 oz. (121.5 g)

Material: Titanium pyramid



## Product Features

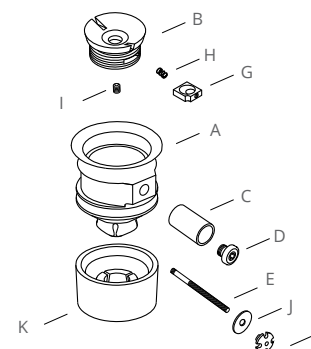
- One-piece, removable lock body
- See Lock System Chart on page 48

## Ordering Information

Description	Product Number
Modular Shuttle Lock	125460

### Replacement Parts

A	809795 – Titanium Pyramid Housing
B	809782 – Shuttle Body
C	809784 – Button Shield
D	809783 – Guide Screw
E	809731 – Latch Pin
F	809785 – Latch Pin Button
G	809711 – Shuttle Lock
H	809756 – Compression Spring
I	880033 – 6-32 × 3/16 in. Socket Head Set Screw
J	809787 – Pe-Lite Washer
K	124183 – Lamination Cap

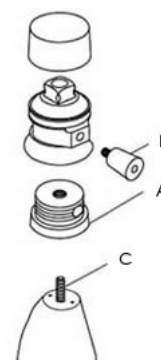


### Fabrication kit

Description	Product Number
Fabrication kit	125239

### Replacement Parts

A	809790 – Shuttle Body Dummy
B	809791 – Button Shield Dummy
C	880494 – 3/16-18 × 3 Socket Head Set Screw



### Shuttle Lock Plungers

Description	Product Number
Plunger 1.0 in. (25 mm), 1/4-20 Thread	809722
Plunger 1.5 in. (38 mm), 1/4-20 Thread	809725
Plunger 2.0 in. (51 mm), 1/4-20 Thread	809727
Plunger 1.0 in. (25 mm), M10 Thread	809722MM
Plunger 1.5 in. (38 mm), M10 Thread	809725MM
Plunger 2.0 in. (51 mm), M10 Thread	809727MM
Plunger 2.5 in. (64 mm), M10 Thread	809720MM
Plunger 3.0 in. (76 mm), M10 Thread	809721MM



# Modular Shuttle Lock with Delrin Housing



## Specifications

**Weight limit:** N/A  
**Product weight:** 2.2 oz. (62 g)  
**Build Height:** 1.25 in. (32 mm)  
**Material:** Delrin

## Product Features

- One-piece, removable body
- Independent alignment
- See Lock System Chart on page 48



## Ordering Information

Description	Product Number
Delrin Shuttle Lock, without Plunger	<b>125459</b>

Replacement Parts	
809780 – Large Delrin Shuttle Housing	809711 – Shuttle Lock
809782 – Shuttle Body	809756 – Compression Spring
809784 – Button Shield	809783 – Guide Screw
809731 – Latch Pin	880033 – 6-32 × 5/16 in. Socket Head Set Screw
809785 – Latch Pin Button	809787 – Pe-Lite™ Washer

### Shuttle Lock Sub Assembly

Description	Product Number
Shuttle Lock Sub Assembly	<b>809746</b>

Replacement Parts	
809782 – Shuttle Body	809756 – Compression Spring
809711 – Shuttle Lock	880033 – 6-32 × 5/16 in. Socket Head Set Screw

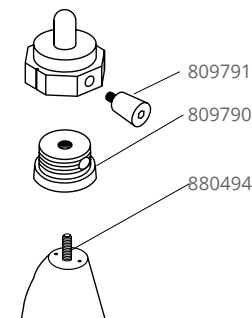
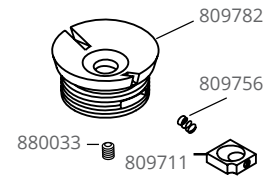
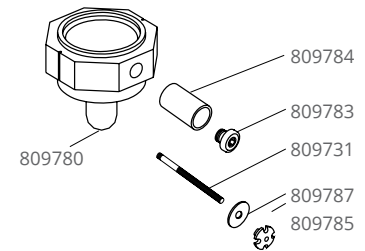
### Fabrication kit

Description	Product Number
Fabrication kit	<b>125239</b>

Replacement Parts	
809790 – Shuttle Body Dummy	880494 – 5/16-18 × 3 in. Socket Head Set Screw
809791 – Button Shield Dummy	

### Shuttle Lock Plungers

Description	Product Number
Plunger 1.0 in. (25 mm), 1/4-20 Thread	<b>809722</b>
Plunger 1.5 in. (38 mm), 1/4-20 Thread	<b>809725</b>
Plunger 2.0 in. (51 mm), 1/4-20 Thread	<b>809727</b>
Plunger 1.0 in. (25 mm), M10 Thread	<b>809722MM</b>
Plunger 1.5 in. (38 mm), M10 Thread	<b>809725MM</b>
Plunger 2.0 in. (51 mm), M10 Thread	<b>809727MM</b>
Plunger 2.5 in. (64 mm), M10 Thread	<b>809720MM</b>
Plunger 3.0 in. (76 mm), M10 Thread	<b>809721MM</b>



Feet  
Adapters  
Valves  
Locks  
Sleeves & Liners  
Knees  
Cosmetic Solutions  
Auxiliary Suspension  
Pediatric

# Modular Shuttle Lock with Cylindrical Housing



## Specifications

**Weight limit:** 300 lbs. (136 kg)  
**Product weight:** 3.4 oz. (96 g)  
**Build Height:** 1.0 in. (25 mm)  
**Material:** Delrin

## Product Features

- One-piece, removable body
- See Lock System Chart on page 48

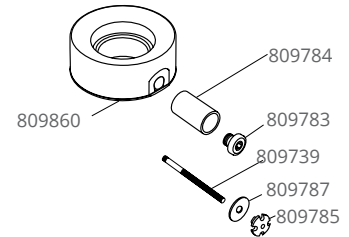


## Ordering Information

Description	Product Number
Cylindrical Housing Shuttle Lock, without Plunger	<b>125462</b>

### Replacement Parts

809860 – Cylindrical Housing	809785 – Latch Pin Button
809782 – Shuttle Body	809711 – Shuttle Lock
809784 – Button Shield	809756 – Compression Spring
809783 – Guide Screw	880033 – 6-32 × 5/16 in. Socket Head Set Screw
809739 – Latch Pin	809787 – Pe-Lite™ Washer



### Shuttle Lock Sub Assembly

Description	Product Number
Shuttle Lock Sub Assembly	<b>809746</b>

### Replacement Parts

809782 – Shuttle Body	809756 – Compression Spring
809711 – Shuttle Lock	880033 – 6-32 × 5/16 in. Socket Head Set Screw



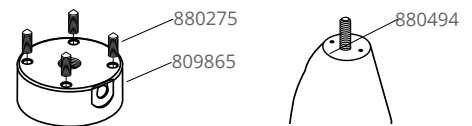
### Fabrication Kit

Description	Product Number
Cylindrical Housing Dummy Kit	<b>125239</b>

### Replacement Parts

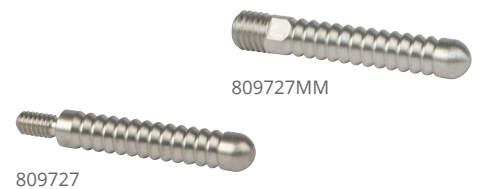
809865 – Fabrication Dummy Body
880275 – M6 × 1 × 16 mm Socket Head Set Screw Cone Point
880494 – 5/16-18 × 3 in. Socket Head Set Screw

May also use Fabrication Kits 125204 and 125202 with this item



### Shuttle Lock Plungers

Description	Product Number
Plunger 1.0 in. (25 mm), 1/4-20 Thread	<b>809722</b>
Plunger 1.5 in. (38 mm), 1/4-20 Thread	<b>809725</b>
Plunger 2.0 in. (51 mm), 1/4-20 Thread	<b>809727</b>
Plunger 1.0 in. (25 mm), M10 Thread	<b>809722MM</b>
Plunger 1.5 in. (38 mm), M10 Thread	<b>809725MM</b>
Plunger 2.0 in. (51 mm), M10 Thread	<b>809727MM</b>
Plunger 3.0 in. (76 mm), M10 Thread	<b>809721MM</b>



# Modular Shuttle Lock with 4-Hole Housing



## Specifications

**Weight limit:** 300 lbs. (136 kg)  
**Product weight:** 3.6 oz. (102 g)  
**Build Height:** 1.25 in. (32 mm)  
**Material:** Aluminum housing, Delrin body

## Product Features

- One-piece, removable body
- See Lock System Chart on page 48

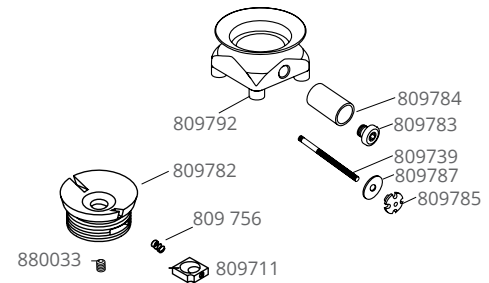


## Ordering Information

Description	Product Number
4-Hole Shuttle Lock, without Plunger	<b>125461</b>

### Replacement Parts

809792 – 4-Hole Shuttle Housing	809785 – Latch Pin Button
809782 – Shuttle Body	809711 – Shuttle Lock
809784 – Button Shield	809756 – Compression Spring
809783 – Guide Screw	880033 – 6-32 × 5/16 in. Socket Head Set Screw
809739 – Latch Pin	809787 – Pe-Lite™ Washer



### Fabrication Kit for Lamination

Description	Product Number
Fabrication Kit	<b>125204</b>

### Replacement Parts

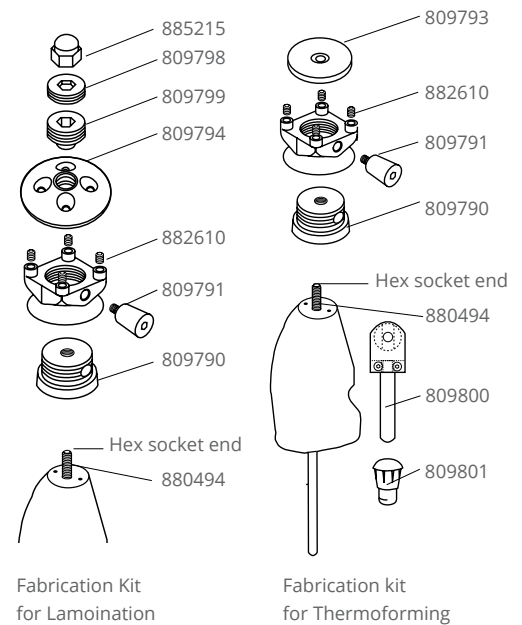
809790 – Shuttle Body Dummy	882610 – M6 × 10 Socket Set Screw (4 Each)
809791 – Button Shield Dummy	885215 – Nut 5/16-18 Acorn
880494 – 5/16-18 × 3 in. Socket Head Set Screw	809798 – Jam Screw
809794 – Flattening Plate	809799 – Jack Screw

### Fabrication Kit for Thermoforming

Description	Product Number
Fabrication Kit	<b>125202</b>

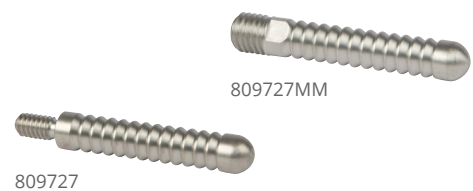
### Replacement Parts

809790 – Shuttle Body Dummy	882610 – M6 × 10 Socket Set Screw (4 Each)
809791 – Button Shield Dummy	809800 – Camlock Assembly
880494 – 5/16-18 × 3 in. Socket Head Set Screw	809801 – Hole Punch
809793 – Flattening Plate	



## Shuttle Lock Plungers

Description	Product Number
Plunger 1.0 in. (25 mm), 1/4-20 Thread	<b>809722</b>
Plunger 1.5 in. (38 mm), 1/4-20 Thread	<b>809725</b>
Plunger 2.0 in. (51 mm), 1/4-20 Thread	<b>809727</b>
Plunger 1.0 in. (25 mm), M10 Thread	<b>809722MM</b>
Plunger 1.5 in. (38 mm), M10 Thread	<b>809725MM</b>
Plunger 2.0 in. (51 mm), M10 Thread	<b>809727MM</b>
Plunger 2.5 in. (64 mm), M10 Thread	<b>809720MM</b>
Plunger 3.0 in. (76 mm), M10 Thread	<b>809721MM</b>



# Cylindrical Lock



## Specifications

**Weight limit:** 300 lbs. (136 kg)  
**Product weight:** 2.8 oz. (80 g)  
**Build Height:** 1 in. (25 mm)  
**Material:** Delrin

## Product Features

- Simple, single stage lamination
- Shuttle lock function
- Distal 4-hole pattern
- See Lock System Chart on page 48



## Ordering Information

Description	Product Number
Cylindrical Lock with 2 × Plunger 1.0 in. (25 mm) M10 Thread	<b>125240</b>
Cylindrical Lock with 2 × Plunger 1.5 in. (37 mm) M10 Thread	<b>125241</b>
Replacement Parts	
809685 – Latch Pin Button for Lock Systems	880285 – M6 × 1 × 25 mm Flat Socket Head Cap Screw, 4 each
809873 – Cylindrical Lock Body	

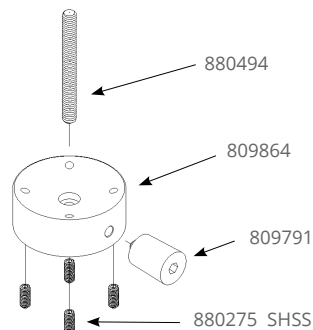
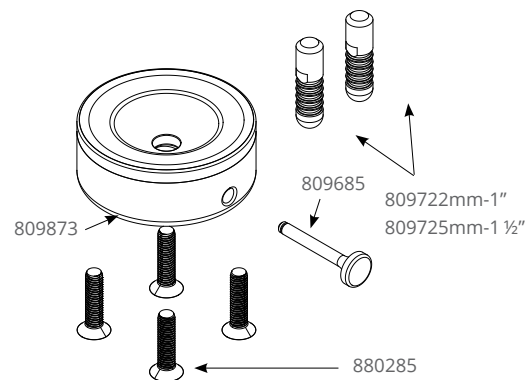
## Fabrication Kit

Description	Product Number
Fabrication Kit	<b>809867</b>
Replacement Parts	
809864 – Fabrication Dummy Body	
880275 – M6 × 1 × 16 mm Socket Head Set Screw	
880494 – 5/16-18 × 3 in. Socket Head Set Screw	
809791 – Button Shield Dummy	

May also use Fabrication Kits 125204 and 125202 with this item

## Shuttle Lock Plungers

Description	Product Number
Plunger 1.0 in. (25 mm), 1/4-20 Thread	<b>809722</b>
Plunger 1.5 in. (38 mm), 1/4-20 Thread	<b>809725</b>
Plunger 2.0 in. (51 mm), 1/4-20 Thread	<b>809727</b>
Plunger 1.0 in. (25 mm), M10 Thread	<b>809722MM</b>
Plunger 1.5 in. (37 mm), M10 Thread	<b>809725MM</b>
Plunger 2.0 in. (51 mm), M10 Thread	<b>809727MM</b>
Plunger 2.5 in. (64 mm), M10 Thread	<b>809720MM</b>
Plunger 3.0 in. (76 mm), M10 Thread	<b>809721MM</b>



# Gator Grip with Ti Pyramid Lock



## Specifications

- Weight limit: 300 lbs. (136 kg)
- Product weight: 4.7 oz. (133 g)
- Build Height: 1.5 in. (39 mm)
- Material: Titanium pyramid

## Product Features

- Waterproof
- Stepless, soundless locking
- Salt water resistant
- Available rigid or flexible plunger made of stainless steel (not included)

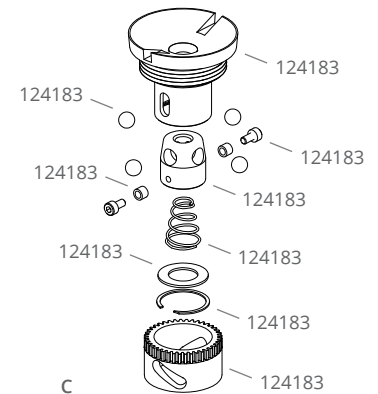
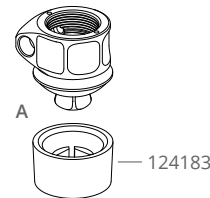
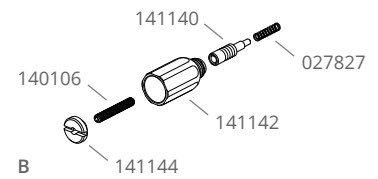


## Ordering Information

Description	Product Number
Gator Grip Lock Kit, with Pyramid Housing	<b>141002</b>

## Replacement Parts

- A** 141160 – Hard Anodized Aluminum Housing, with Titanium Pyramid
- B** 141105 – Release Assembly with Spring, 1 Each
  - 027827 – Compression Spring, Stainless, 1 Each
  - 140106 – Latch Pin, 1 Each
  - 141140 – Release Rack, 1 Each
  - 141142 – Button Shield, 1 Each
  - 141144 – Latch Pin Button, 1 Each
- C** 141100 – Gator Grip Modular Lock Cartridge
  - 141110 – 316 Stainless Steel 7/32" Ball Bearing, 4 Each
  - 141112 – 316 Stainless Steel Internal Retaining Ring, 1 Each
  - 141114 – 316 Stainless Steel Flat Washer, 1 Each
  - 141120 – Gear Driven Release Cam, 1 Each
  - 141122 – Cam Follower Spacer, 2 Each
  - 141130 – Modular Lock Cartridge Housing, Titanium, 1 Each
  - 141132 – Ball Retainer, 1 Each
  - 027826 – Conical Compression Spring, Stainless Steel
  - 882410 – Cam Follower Screw, 2 Each



## Fabrication Kit

Description	Product Number
Gator Grip Fabrication Kit for Delrin and Pyramid Housing	<b>141020</b>

## Replacement Parts

- 141190 – Fabrication Dummy
- 141192 – 1.5 in. (37 mm) Plunger Extension
- 141194 – 2 in. Plunger Extension
- 141195 – Button Dummy
- 880494 – 5/16-18 x 3 in. Socket Head Set Screw

## Gator Grip Plungers with M10 Thread

Description	Product Number
Flexible Plunger, 1.5 in. (38 mm)	<b>141010</b>
Flexible Plunger, 2.0 in. (51 mm)	<b>141011</b>
Flexible Plunger, 2.5 in. (64 mm)	<b>141012</b>
Rigid Plunger, 1.0 in. (25 mm)	<b>141015</b>
Rigid Plunger, 1.5 in. (38 mm)	<b>141016</b>
Rigid Plunger, 2.0 in. (51 mm)	<b>141017</b>



# Gator Grip Delrin Lock



## Specifications

**Weight limit:** N/A  
**Product weight:** 2.6 oz. (74 g)  
**Build Height:** 1.25 in. (32 mm)  
**Material:** Delrin

## Product Features

- Waterproof
- Salt water resistant
- Available rigid or flexible plunger made of stainless steel (not included)

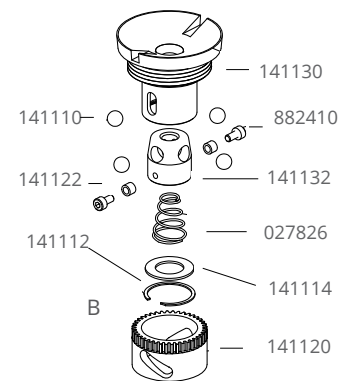
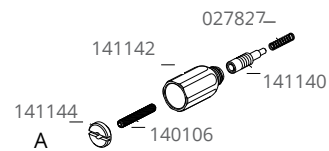


## Ordering Information

Description	Product Number
Gator Grip Lock Kit, with Delrin Housing	<b>141001</b>

### Replacement Parts

- 141150 – Delrin Housing
- A** 141105 – Release Assembly with Spring
- 027827 – Compression Spring, Stainless
- 140106 – Latch Pin
- 141140 – Release Rack
- 141142 – Button Shield
- 141144 – Latch Pin Button
- B** 141100 – Gator Grip Modular Lock Cartridge
- 141110 – 316 Stainless Steel 7/32 in. Ball Bearing, 4 Each
- 141112 – 316 Stainless Steel Internal Retaining Ring
- 141114 – 316 Stainless Steel Flat Washer
- 141120 – Gear Driven Release Cam
- 141122 – Cam Follower Spacer, 2 Each
- 141130 – Modular Lock Cartridge Housing, Titanium
- 141132 – Ball Retainer
- 027826 – Conical Compression Spring, Stainless Steel
- 882410 – Cam Follower Screw, 2 Each



## Fabrication Kit

Description	Product Number
Gator Grip Fabrication Kit for Delrin and Pyramid Housing	<b>141020</b>

### Replacement Parts

- 141190 – Fabrication Dummy
- 141192 – 1 1/2 in. Plunger Extension
- 141194 – 2 in. Plunger Extension
- 141195 – Button Dummy, 1 Each
- 880494 – 5/16-18 x 3 in. Socket Head Set Screw

## Gator Grip Plungers with M10 Thread

Description	Product Number
Flexible Plunger, 1.5 in. (38 mm)	<b>141010</b>
Flexible Plunger, 2.0 in. (51 mm)	<b>141011</b>
Flexible Plunger, 2.5 in. (64 mm)	<b>141012</b>
Rigid Plunger, 1.0 in. (25 mm)	<b>141015</b>
Rigid Plunger, 1.5 in. (38 mm)	<b>141016</b>
Rigid Plunger, 2.0 in. (51 mm)	<b>141017</b>



Feet  
Adapters  
Valves  
Locks  
Sleeves & Liners  
Knees  
Cosmetic Solutions  
Auxiliary Suspension  
Pediatric

# Gator Grip Cylindrical Lock



## Specifications

**Weight limit:** 300 lbs. (136 kg)  
**Product weight:** 4.6 oz. (132 g)  
**Build Height:** 1.25 in. (32 mm)  
**Material:** Delrin

## Product Features

- Waterproof
- Salt water resistant
- Available rigid or flexible plunger made of stainless steel (not included)

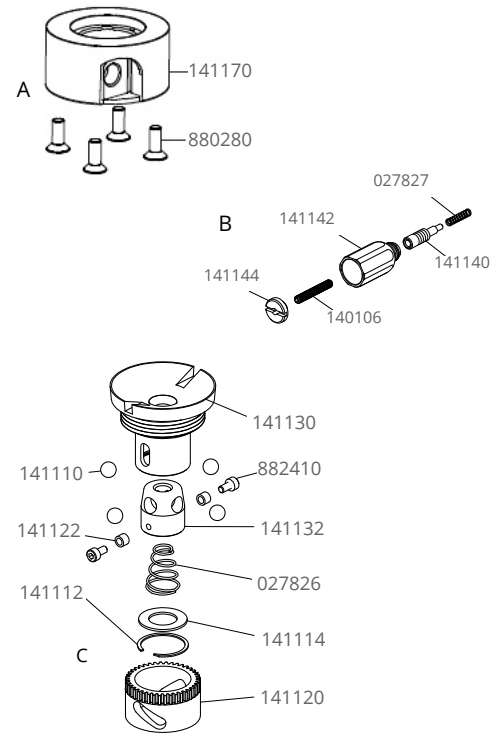


## Ordering Information

Description	Product Number
Gator Grip Lock Kit, with Cylindrical Housing	<b>141003</b>

### Replacement Parts

- A** 141150 – Delrin Housing
- B** 141105 – Release Assembly with Spring  
 .....  
 027827 – Compression Spring, Stainless  
 140106 – Latch Pin  
 141140 – Release Rack  
 141142 – Button Shield  
 141144 – Latch Pin Button
- C** 141100 – Gator Grip Modular Lock Cartridge  
 .....  
 141110 – 316 Stainless Steel 7/32 in. Ball Bearing, 4 Each  
 141112 – 316 Stainless Steel Internal Retaining Ring  
 141114 – 316 Stainless Steel Flat Washer  
 141120 – Gear Driven Release Cam  
 141122 – Cam Follower Spacer, 2 Each  
 141130 – Modular Lock Cartridge Housing, Titanium  
 141132 – Ball Retainer  
 027826 – Conical Compression Spring, Stainless Steel  
 882410 – Cam Follower Screw, 2 Each

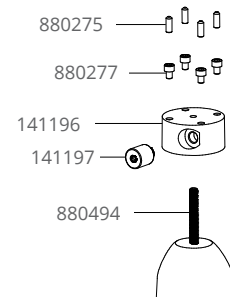


## Fabrication Kit

Description	Product Number
Gator Grip Fabrication Kit, for Cylindrical Housing	<b>141021</b>

### Replacement Parts

- |  |   |
|--|---|
| 141196 – Fabrication Dummy                           | 880275 – M6 × 1 × 16 mm Socket Head Set Screw, 4 Each |
| 141197 – Button Dummy                                | 141022 – Fabrication Kit, for Thermoforming           |
| 880494 – 5/16-18 × 3 in. Socket Head Set Screw       | 141024 – Fabrication Kit, for Lamination              |
| 880277 – M6 × 1 × 8 mm Socket Head Cap Screw, 4 Each |   |



## Gator Grip plungers with M10 Thread

Description	Product Number
Flexible Plunger, 1.3 in. (33 mm)	<b>141009</b>
Flexible Plunger, 1.5 in. (38 mm)	<b>141010</b>
Flexible Plunger, 2.0 in. (51 mm)	<b>141011</b>
Flexible Plunger, 2.5 in. (64 mm)	<b>141012</b>
Rigid Plunger, 1.0 in. (25 mm)	<b>141015</b>
Rigid Plunger, 1.5 in. (38 mm)	<b>141016</b>
Rigid Plunger, 2.0 in. (51 mm)	<b>141017</b>



# Clutch Lock with Titanium Pyramid



## Specifications

Weight limit: 300 lbs. (136 kg)

Product weight: 5.5 oz. (157 g)

Build Height: 1.75 in. (44 mm)

Material: Titanium pyramid

## Product Features

- One way valve
- Plunger sold separately



## Ordering Information

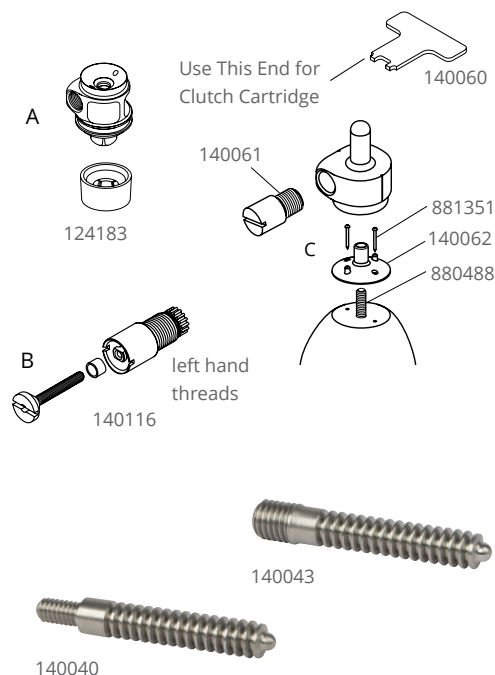
Description	Product Number
Pyramid Clutch Lock Kit, without Plunger	<b>140010</b>

### Replacement Parts

- A** 140002 – Delrin Housing, for Clutch Lock
- B** 140150 – Clutch Lock, with Air Expulsion  
 140116 – Latch Pin
- C** 140065 – Fabrication Kit, for Clutch Lock  
 140060 – Wrench  
 140061 – Clutch Housing Dummy  
 140062 – Distal Attachment Dummy  
 880488 – ¼-20 × 2 in. Socket Head Set Screw  
 881351 – Brass Nail

### Clutch Lock Plungers

Description	Product Number
Plunger, 1.5 in. (38 mm), ¼-20 Thread	<b>140041</b>
Plunger, 2.0 in (51 mm), ¼-20 Thread	<b>140040</b>
Plunger, 1.5 in. (38 mm), M10 Thread	<b>140044</b>
Plunger, 2.0 in. (51 mm), M10 Thread	<b>140043</b>





# Clutch Lock with Cylindrical 4-Hole Housing



TT TF

## Specifications

Weight limit: 300 lbs. (136 kg)  
 Product weight: 4.2 oz. (120 g)  
 Build Height: 1.25 in. (32 mm)  
 Material: Delrin

## Product Features

- One way valve
- Plunger sold separately



## Ordering Information

Description	Product Number
4-Hole Cylindrical Clutch Lock Kit, without Plunger	<b>140020</b>

## Replacement Parts

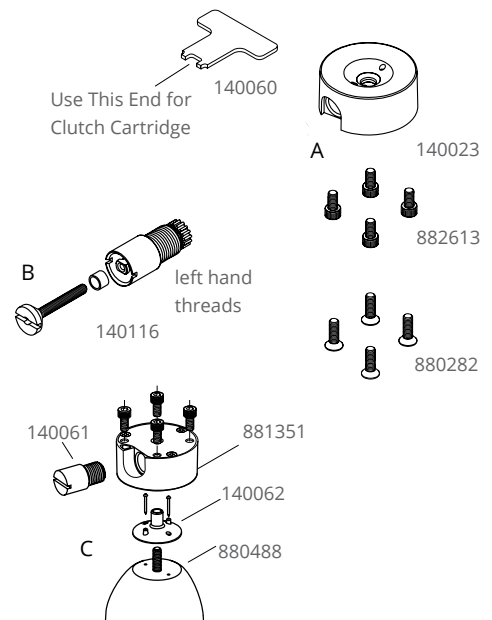
<b>A</b>	140023 - 4-Hole Cylindrical Housing, for Clutch Lock
	880282 - M6 × 1 × 20 mm Flat Head Socket Cap Screw
	882613 - M6 × 1 × 12 mm Socket Head Cap Screw
<b>B</b>	140150 - Clutch Lock, with Air Expulsion
	140116 - Latch Pin
<b>C</b>	140065 - Fabrication Kit, for Clutch Lock
	140060 - Wrench
	140061 - Clutch Housing Dummy
	140062 - Distal Attachment Dummy
	880488 - ¼-20 × 2 in. Socket Head Set Screw
	881351 - Brass Nail

## Fabrication Dummy Kit (Cylindrical 4-hole Housing)

Description	Product Number
Clutch Lock Fabrication Kit	<b>140065</b>

## Clutch Lock Plungers

Description	Product Number
Plunger, 1.5 in. (38 mm), ¼-20 Thread	<b>140041</b>
Plunger, 2.0 in. (51 mm), ¼-20 Thread	<b>140040</b>
Plunger, 1.5 in. (38 mm), M10 Thread	<b>140044</b>
Plunger, 2.0 in. (51 mm), M10 Thread	<b>140043</b>



Feet  
Adapters  
Valves  
Locks  
Sleeves & Liners  
Knees  
Cosmetic Solutions  
Auxiliary Suspension  
Pediatric

# Shuttle Vac



## Specifications

**Weight limit:** N/A

**Weight:** 0.1 oz. (2.6 g)

**Build Height:** 1.25 in. (31 mm)

**Material:** Delrin

## Product Features

- Retrofits to Fillauer Original Shuttle Lock attachment nut
- Uses water resistant duckbill valve design
- Adds versatility and clinical suspension options
- Allows patient evaluation of suction



## Ordering Information

Description	Product Number
Shuttle Vac	125900

## Shuttle Lock Plungers



### With M10 Metric Thread

Description	Product Number
Plunger, 1.0 in. (25 mm)	809722MM
Plunger, 1.5 in. (37 mm)	809725MM
Plunger, 2.0 in. (51 mm)	809727MM
Plunger, 2.5 in. (64 mm)	809720MM
Plunger, 3.0 in. (76 mm)	809721MM

### With ¼-20 Thread

Description	Product Number
Plunger, 1.0 in. (25 mm)	809722
Plunger, 1.5 in. (37 mm)	809725
Plunger, 2.0 in. (51 mm)	809727
Extension Adapter, 1.0 in. (25 mm) for Plunger (Not Pictured)	809718

## Gator Grip Plungers



### With M10 Metric Thread

Description	Product Number
Flexible plunger, 1.5 in. (37 mm)	141010
Flexible plunger 2.0 in. (51 mm)	141011
Flexible plunger 2.5 in. (64 mm)	141012
Rigid plunger 1.0 in. (25 mm)	141015
Rigid plunger 1.5 in. (37 mm)	141016
Rigid plunger 2.0 in. (51 mm)	141017

## Clutch Lock Plungers



### With M10 Thread

Description	Product Number
Plunger, 1.5 in. (37 mm)	140044
Plunger, 2.0 in. (51 mm)	140043

### With ¼-20 Thread

Description	Product Number
Plunger, 1.5 in. (37 mm)	140041
Plunger, 2.0 in. (51 mm)	140040

## Lanyard Plunger



### With M10 Metric Thread

Description	Product Number
Plunger 1.0 in. (25 mm)	809922MM
Plunger 1.5 in. (37 mm)	809925MM

### With ¼-20 Thread

Description	Product Number
Plunger 1.0 in. (25 mm)	809922
Plunger 1.5 in. (37 mm)	809925
Plunger 2.0 in. (51 mm)	809927

## Small Delrin Shuttle Lock Plungers



### With M10 Metric Thread

Description	Product Number
Plunger, 1.0 in. (25 mm)	809826MM
Plunger, 1.5 in. (37 mm)	809827MM

### With M6 Metric Thread

Description	Product Number
Plunger, 1.0 in. (25 mm)	809823MM
Plunger, 1.5 in. (37 mm)	809825MM

### With ¼-20 Thread

Description	Product Number
Plunger, 1.0 in. (25 mm)	809826
Plunger, 1.5 in. (37 mm)	809827

## Lock Device Plungers



Description	Product Number
Plunger, For Use with PDI Device (Special Order)	809768
Plunger, For Use with Iceross Lock Device	809770
Plunger, M10 Iceross® Style, For Use with Clutch Lock Only	809771

# Latch Pins



## Ordering Information

Description	Product Number
Latch Pin, 10-32 × 2 in. for Regular Shuttle Locks	<b>809731</b>
Latch Pin, 10-32 × 3.5 in. for Transfemoral	<b>809728</b>
Latch Pin, 6-32 × 2 in. for Small Shuttle Locks	<b>809729</b>
Latch Pin, 6-32 × 3.5 in. for Small Shuttle Locks	<b>809734</b>



# Liner Lanyard



## Product features

- Detachable cable system used to help seat a shuttle lock plunger



## Ordering Information

Description	Product Number
BK Pylon Clamp, for Liner Lanyard	<b>124171</b>

### Liner Lanyard kit

Description	Product Number
Liner Lanyard Kit, Plunger not included	<b>125540</b>

### Replacement Parts

- 809917 – 16 in. Lanyard Cable
- 809918 – 2 in. Pull Handle

### Lanyard Plungers

Description	Product Number
Plunger 1.0 in. (25 mm), with ¼-20 Thread	<b>809922</b>
Plunger 1.5 in. (37 mm), with ¼-20 Thread	<b>809925</b>
Plunger 2.0 in. (51 mm), with ¼-20 Thread	<b>809927</b>
Plunger 1.0 in. (25 mm), with M10 Thread	<b>809922MM</b>
Plunger 1.5 in. (37 mm), with M10 Thread	<b>809925MM</b>
Plunger 2.0 in. (51 mm), with M10 Thread	<b>809927MM</b>

# Cord Lock



## Specifications

Weight limit: N/A

Build Height: 1.5 in. (39 mm)

Product weight: 2.3 oz. (66 g)

Material: Delrin

## Product Features

- Developed for use with liners with M10 thread
- Can be pulled down in the center without adding unnecessary distal load on the stump

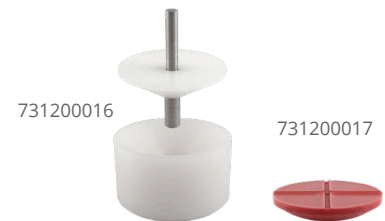
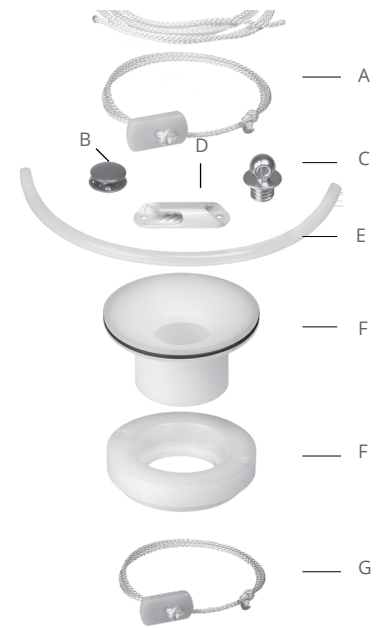
## Ordering Information

Description	Product Number
Cord Lock Universal, complete	<b>731200001</b>

REPLACEMENT PARTS	
A	731200010 – Polyester cord
B	731200009 – Lock knob
C	731200014 – Distal hook for socket, M10
D	731200013 – Clam cleat
E	731200011 – PTFE tube
F	731200015 – Funnel and ring
G	731200018 Funnel tool

## Accessories

Description	Product Number
Dummy kit for cord lock universal	<b>731200016</b>
Extra silicone dummy for pyramid/ cord lock	<b>731200017</b>





# Sleeves & Liners

# Absolute Preflexed Sleeve



## Specifications

**Length:** 15.7 in. (40 cm)

**Material:** TPE gel & elastic fabric

## Product Features

- Thermoformable gel (TPE) for custom fit
- Infused medical grade oil for skin protection
- Greater heat transfer than silicone
- Extra-soft gel
- Reinforced on the inside of the knee to ensure a longer life



## Ordering Information

### Absolute Preflexed Suspension Sleeve 3mm

Size	Distal Circumference	Proximal Circumference*	● Beige	● Black
Small	8.3 – 9.8 in. (21 – 25 cm)	10.2 – 12.2 in. (26 – 31 cm)	<b>803471314</b>	<b>803461314</b>
Medium	10.2 – 12.6 in. (26 – 32 cm)	12.2 – 15.0 in. (31 – 38 cm)	<b>803471318</b>	<b>803461318</b>
Medium+	11.8 – 14.2 in. (30 – 36 cm)	15.0 – 17.3 in. (38 – 44 cm)	<b>803471322</b>	<b>803461322</b>
Large	12.6 – 15.7 in. (32 – 40 cm)	17.3 – 19.7 in. (44 – 50 cm)	<b>803471326</b>	<b>803461326</b>
Large+	13.4 – 16.5 in. (34 – 42 cm)	19.7 – 23.6 in. (50 – 60 cm)	<b>803471332</b>	<b>803461332</b>
X-Large	15.7 – 19.3 in. (40 – 49 cm)	23.6 – 27.6 in. (60 – 70 cm)	<b>803471340</b>	<b>803461340</b>

\*NOTE: The proximal circumference is measured 15 cm above the mid-patella tendon. The distal circumference is measured 15 cm below the mid-patella tendon.

# Absolute Straight Sleeve



## Specifications

**Length:** 13.8 in. (35 cm)

**Material:** TPE gel & elastic fabric

## Product Features

- Thermoformable gel (TPE) for custom fit
- Infused medical grade oil for skin protection
- Extra-soft gel



## Ordering Information

### Absolute Straight Suspension Sleeve 3 mm

Size	Distal Circumference	Proximal Circumference*	● Beige	● Black
X-Small	3.9 – 6.7 in. (10 – 17 cm)	6.3 – 9.4 in. (16 – 24 cm)	803371301	803361301
Small	5.9 – 8.7 in. (15 – 22 cm)	9.1 – 13.4 in. (23 – 34 cm)	803371302	803361302
Medium	8.3 – 11.8 in. (21 – 30 cm)	11.4 – 16.9 in. (29 – 43 cm)	803371303	803361303
Medium+	9.4 – 13.8 in. (24 – 35 cm)	13.0 – 18.5 in. (33 – 47 cm)	803371304	803361304
Large	11.0 – 16.5 in. (28 – 42 cm)	14.2 – 20.1 in. (36 – 51 cm)	803371305	803361305
Large+	12.2 – 18.1 in. (31 – 46 cm)	15.4 – 21.7 in. (39 – 55 cm)	803371306	803361306
X-Large	13.4 – 19.7 in. (34 – 50 cm)	16.5 – 23.6 in. (42 – 60 cm)	803371307	803361307
XX-Large	14.2 – 21.7 in. (36 – 55 cm)	17.3 – 27.6 in. (44 – 70 cm)	803371308	803361308

\*NOTE: The proximal circumference is measured 15 cm above the mid-patella tendon. The distal circumference is measured 15 cm below the mid-patella tendon.

# Absolute Straight Sleeve – No Fabric



TT

TF

## Specifications

**Length:** 13.8 in. (35 cm)

**Material:** Micro-coated TPE gel

## Product Features

- Very high elasticity
- Micro-coating on the outside for easy cleaning & donning
- Thermoformable gel (TPE) for custom fit
- Sticky on the inside
- Extra-soft gel



## Ordering Information

### Absolute Straight Suspension Sleeve 3 mm

Size	Distal Circumference*	Proximal Circumference*	product number
Small	5.5 – 8.3 in. (14 – 21 cm)	9.0 – 13.8 in. (23 – 35 cm)	<b>803311314</b>
Medium	7.0 – 10.6 in. (18 – 27 cm)	10.2 – 15.3 in. (26 – 39 cm)	<b>803311318</b>
Medium+	8.7 – 13.0 in. (22 – 33 cm)	11.8 – 17.7 in. (30 – 45 cm)	<b>803311322</b>
Large	10.0 – 15.3 in. (26 – 39 cm)	13.8 – 20.9 in. (35 – 53 cm)	<b>803311326</b>
Large+	12.6 – 18.9 in. (32 – 48 cm)	16.1 – 24.4 in. (41 – 62 cm)	<b>803311332</b>
X-Large	15.7 – 23.6 in. (40 – 60 cm)	18.5 – 28.0 in. (47 – 71 cm)	<b>803311340</b>

\*NOTE: The proximal circumference is measured 15 cm above the mid-patella tendon. The distal circumference is measured 15 cm below the mid-patella tendon.

# Custom Made Liner



2710 Amnicola Highway  
 Chattanooga, TN 37406  
 423.624.0946  
 Fax 423.698.6076  
 centralfab@fillauer.com

Customer:

Patient name / number:

Date & Ordered by:

Phone / email:

Purchasing order #:

Ordering Information			
First order: <input type="checkbox"/> Repeat order: <input type="checkbox"/>			
	Type of liner	Prod. No First order	Prod. No Repeat order
	Cushion liner, black	801100301	801100302
	Cushion liner, beige	801100401	801100402
	Locking liner, black	802100301	802100302
	Locking liner, beige	802100401	802100402
Options:			
	3 mm Uniform (pic.1)		
	6 mm Tapered (pic.2)		
	3+6 mm Contoured (pic.3)		
	9 mm Contoured (only available in cushion, thick bottom, pic.4)		
	Thick bottom		
	Thin bottom		
	Full matrix, recommended for AK prosthetic users		

Important Information
<ul style="list-style-type: none"> <li>• Provide us with a positive plaster cast</li> <li>• Make sure that the cast is 50 mm longer than the requested length of the liner</li> <li>• The cast should be reduced approx. 4 - 6% on circumferential measurements</li> <li>• Please state if and where you need extra cushion or other custom solutions to your liner</li> <li>• Please mark the following on the cast                             <ul style="list-style-type: none"> <li>- Side</li> <li>- Requested length</li> </ul> </li> </ul>



Pic.1



Pic.2



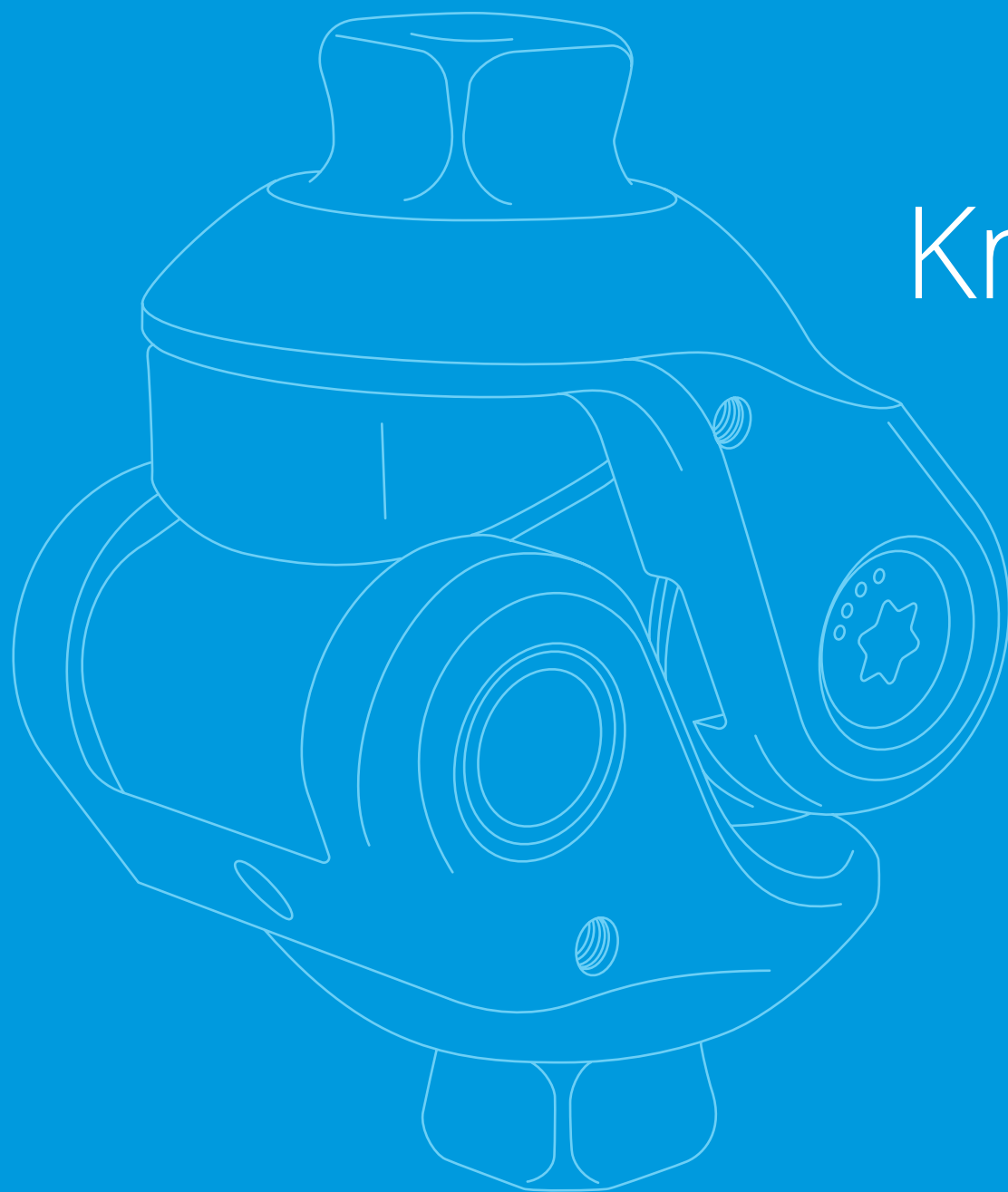
Pic.3



Pic.4

Instructions (sensitive areas etc.):





# Knees

# Endurance Hydraulic 160 Knee System



**K3** **TF**

## Specifications

**Weight limit:** 300 lbs. (136 kg)  
**Product weight:** 2.5 lbs. (1134 g)  
**Flexion:** 110°

## Product Features

- Shorter 160 mm hydraulic unit
- Swing and stance hydraulic control
- A-P stability adjustment
- Standard stance phase hydraulic control
- Adjustable yield rate
- Proximal attachments sold separately (each)



## Ordering Information

Description	Product Number
Endurance 160 Knee System	<b>62041</b>

### Replacement Parts

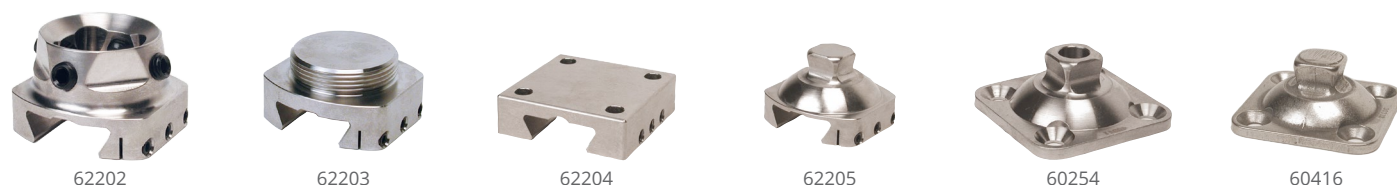
- 62042 – Endurance 160 Hydraulic Unit
- 62206 – Mounting Kit (Not Pictured)
- 62122 – Endurance 160 Knee Frame, with Proximal Adjustment Screw
- 62208 – Knee Cap



Description	Product Number
Mounting Kit for Ossur Gaitmaster Low Profile and Other 160 Size Frames	<b>62206</b>

### Attachment Choices

Description	Product Number
Pyramid Receiver, Female Dovetail, Lock Screws	<b>62202</b>
Threaded Adapter, Female Dovetail, Lock Screws	<b>62203</b>
4-Hole Plate, Female Dovetail, Lock Screws	<b>62204</b>
Pyramid, Female Dovetail, Lock Screws	<b>62205</b>
4-Hole Pyramid Adapter, with Through Hole, Titanium, Lock Screws	<b>60254</b>
4-Hole Pyramid Adapter, Stainless Steel, Lock Screws	<b>60416</b>



# Hydraulic Control



TF

## Product Features

- Designed to emulate natural gait
- Programs flexion and extension through specially engineered ports
- Automatic adjustment for cadence, correct heel rise, and terminal impact
- Also available for knee disarticulation setups
- Independently adjustable flexion and extension resistance



## Ordering Information

Description	Product Number
Dupaco Control	52211
Dupaco Control, Multiplex (Fits Entegra Frame)	70465

# Lite Phase Hydraulic Control



TF

## Product Features

- Reprogrammed with less resistance than standard Dupaco
- Independently adjustable flexion and extension resistance
- Ideal for the newer, lightweight modular prostheses
- Compatible with exoskeletal systems



## Ordering Information

Description	Product Number
Lite Phase Dupaco, Multiplex (Fits Entegra Frame)	59797
Lite Phase Dupaco	60030

# Spectrum EX 4-Bar Pneumatic Knee

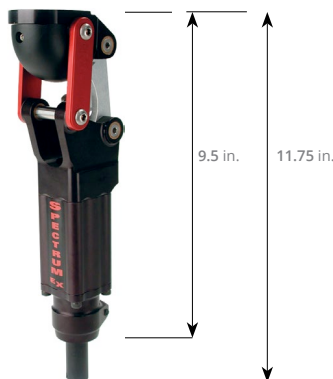


## Specifications

Weight limit: 300 lbs  
 Product weight: 28 oz. (794 g)  
 Flexion: 160°

## Product Features

- Improves patient control through link geometry
- Adjustable knee stability
- Easy “glide-flex” action
- Choice of proximal attachments (one required)
- Enhanced pneumatic control system
- Four easily interchangeable springs provide adjustable extension assist



## Ordering Information

Description	Above Knee Center	Overall Above Knee Center	Weight	Product Number
Spectrum 4-Bar Pneumatic Knee	3/16 in. (14 mm)	3/16 in. (14 mm)	28 oz. (794 g)	61245
Knee Pad	-	-	-	61240
Knee Pad Screw	-	-	-	61242
Side Knee Pad Screws (2 Each)	-	-	-	61243

## Proximal Adapter Components

Description	Above Knee Center	Overall Above Knee Center	Weight	Product Number
Pyramid Adapter, with Bolt	3/16 in. (20 mm)	1 5/16 in. (26 mm)	1.5 oz. (42 g)	61338
Bolt, M10 × 40 mm	-	-	-	58607
Slide Adapter, with Bolt	3/16 in. (20 mm)	1 1/8 in. (26 mm)	2.1 oz. (60 g)	61337
Bolt, M10 × 28 mm	-	-	-	61570
Threaded Adapter, with Bolt	7/8 in. (22 mm)	1 1/16 in. (25 mm)	1.7 oz. (50 g)	61786
Bolt, M10 × 35 mm	-	-	-	61339
4-Hole Adapter, with Bolt	7/8 in. (22 mm)	7/8 in. (22 mm)	1.9 oz. (56 g)	61336
Bolt, M10 × 25 mm	-	-	-	61246



61336



61786



61338



61337

# W.A.L.K. (Weight Activated Locking Knee)



- K1
- K2
- TF

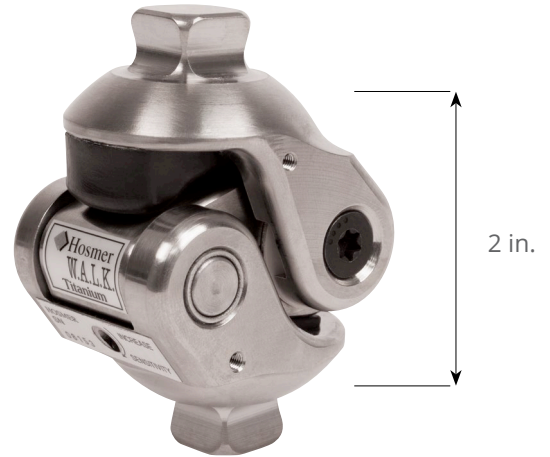
## Specifications

**Weight limit:** Titanium – 300 lbs. (136 kg)  
 Aluminum – 220 lbs. (100 kg)

**Product weight:** Titanium – 12 oz. (350g)  
 Aluminium – 11.4 oz. (316g)

**Build height:** 2 in. (51 mm)

**Flexion:** 145°



## Product Features

- Brakes on weight bearing for extra degree of stability
- Independent friction and stabilizing sensitivity adjustments
- Includes patella cover and adjustable extension assist

## Ordering Information

Description	Product Number
W.A.L.K. Titanium	60794
W.A.L.K. Aluminum	60785

### Components for W.A.L.K.

Description	Product Number
Extension Assist Kit	60825
Patella	60709

# S.A.F.K. (Single Axis Friction Knee)



- K1
- K2
- TF

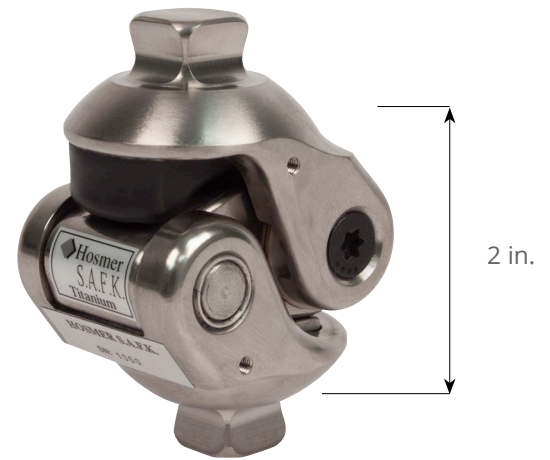
## Specifications

**Weight limit:** Titanium – 300 lbs. (136 kg)  
 Aluminum – 220 lbs. (100 kg)

**Product weight:** Titanium – 12 oz. (350g)  
 Aluminium – 11.4 oz. (316g)

**Build height:** 2 in. (51 mm)

**Flexion:** 145°



## Product Features

- Adjustable constant friction
- Includes patella cover and adjustable extension assist

## Ordering Information

Description	Product Number
S.A.F.K. Titanium	60821
S.A.F.K. Aluminum	60823

### Components for S.A.F.K.

Description	Product Number
Extension Assist Kit	60825
Patella	60709

# S.A.L.K. (Single Axis Locking Knee)



- K1
- K2
- TF

## Specifications

- Weight limit: 300 lbs. (136 kg)
- Product weight: 9.3 oz. (264g)
- Build height: 3.25 in. (82 mm)
- Flexion: 135°

## Product Features

- Locks in extension
- Includes patella cover



## Ordering Information

Description	Product Number
S.A.L.K. Aluminum	60471

## Components for S.A.L.K.

Description	Product Number
Lock Release Assembly	60847
Cable Assembly	61088
Cable Housing Anchor	50427
Cable Housing	56191
Sheath, Knee	60475

# MightyMite® 4-Bar Knee



- K2
- K3
- K4
- TF

## Specifications

Weight limit: 132 lbs. (60 kg)  
 Product weight: 9.1 oz. (257.9 g)  
 Material: Aluminum

## Product Features

- Adjustable extension assist
- Adjustable friction
- Multiple attachment option



FC100510

FC100500

## Ordering Information

Description	Product Number
4-Bar Knee, includes Pyramid Adapter	<b>FC100510</b>
4-Bar Knee, without Proximal Attachment	<b>FC100500</b>

See additional information about MightyMite 4-Bar Knee on page 99.

# MightyMite® 4-Bar Knee Proximal Attachments



- TF

## Specifications

Weight limit: 132 lbs. (60 kg)

## Ordering Information

Description	Material	Product Number
Pyramid Adapter	Titanium	<b>FC100501</b>
Slide Adapter	Aluminum	<b>FC100502</b>
4-Hole Adapter	Aluminum	<b>FC100503</b>
Threaded Adapter	Aluminum	<b>FC100504</b>
4-Hole Plate with Male Dovetail	Aluminum	<b>FC100505</b>



FC100501



FC100502



FC100503



FC100504



FC100505



# Cosmetic Solutions

# Dream Skin

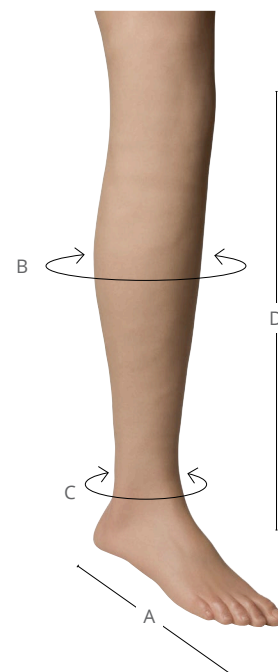


## Specifications

**Durability:** Meets ISO 22523

## Product Features

- Airbrushed dual layer PVC with fibers for natural definition
- Good tear resistance
- Micro Coated for durability, easy cleaning and low friction against clothing
- Water resistant
- Recyclable
- Free from all heavy metals and phthalates
- Available with sandal toe



## Ordering Information

### Standard

Foot Size (A)	Calf size min (B)	Ankle size min (C)	Length (D)	Left	Right
21 – 22 cm	12.0 in. (305 mm)	7.5 in. (190 mm)	19.7 in. (500 mm)	<b>421221R/YXX4</b>	<b>421222R/YXX4</b>
23 – 24 cm	12.6 in. (320 mm)	7.9 in. (200 mm)	21.7 in. (550 mm)	<b>423241R/YXX4</b>	<b>423242R/YXX4</b>
25 – 26 cm	13.4 in. (340 mm)	8.2 in. (210 mm)	23.6 in. (600 mm)	<b>425261R/YXX4</b>	<b>425262R/YXX4</b>
27 – 28 cm	14.0 in. (355 mm)	8.5 in. (215 mm)	21.7 in. (550 mm)	<b>427281R/YXX4</b>	<b>427282R/YXX4</b>
29 – 30 cm	14.6 in. (370 mm)	8.7 in. (220 mm)	25.6 in. (650 mm)	<b>429301R/YXX4</b>	<b>429302R/YXX4</b>

### Sandal Toe

Foot Size (A)	Calf size min (B)	Ankle size min (C)	Length (D)	Left	Right
21 – 22 cm	12.0 in. (305 mm)	7.5 in. (190 mm)	19.7 in. (500 mm)	<b>421223R/YXX4</b>	<b>421224R/YXX4</b>
23 – 24 cm	12.6 in. (320 mm)	7.9 in. (200 mm)	21.7 in. (550 mm)	<b>423243R/YXX4</b>	<b>423244R/YXX4</b>
25 – 26 cm	13.4 in. (340 mm)	8.2 in. (210 mm)	23.6 in. (600 mm)	<b>425263R/YXX4</b>	<b>425264R/YXX4</b>
27 – 28 cm	14.0 in. (355 mm)	8.5 in. (215 mm)	21.7 in. (550 mm)	<b>427283R/YXX4</b>	<b>427284R/YXX4</b>
29 – 30 cm	14.6 in. (370 mm)	8.7 in. (220 mm)	25.6 in. (650 mm)	<b>429303R/YXX4</b>	<b>429304R/YXX4</b>

### Color Guide

Description	Product Number
Natural Definition Guide R01-08 / Y01-08	<b>611200003</b>



# Foam Fairings for Transtibial Prosthesis



TT

## Specifications

**Material:** Closed cell polyethylene foam



## Ordering Information

Description	Product Number
Foam Fairing, Medium Density, 6 × 18 in. (152 × 457 mm)	<b>189112</b>
Foam Fairing, Medium Density, 6 × 21.5 in. (152 × 546 mm)	<b>189116</b>
Foam Fairing, Medium Density, 6 × 24 in. (152 × 605 mm)	<b>189117</b>
Foam Fairing, Medium Density, 6 × 18 in. with Cavity (152 × 457 mm)	<b>189118</b>

# Expanded Pe-Lite™ Leg Covers for Transtibial Prosthesis



TT

## Product Features

- Suede-like finish
- Durable and easily cleaned
- Shrinks to shape when heated



## Ordering Information

Size	Base (A)	Brim (B)	Length		
Small	7 – 9.5 in. (178 × 241 mm)	9 – 14.5 in. (229 – 368 mm)	20 in. (508 mm)	<b>127788</b>	<b>127794</b>
Medium	7.5 – 11 in. (191 × 279 mm)	11 – 18 in. (279 – 457 mm)	21 in. (533 mm)	<b>127790</b>	<b>127796</b>
Large	9.5 – 12 in. (241 × 305 mm)	13 – 21 in. (330 – 533 mm)	22 in. (559 mm)	<b>127792</b>	<b>127798</b>

# Foam Covers



TT

## Specifications

**Material:** Polyurethane



## Ordering Information

Description	Product Number
Transtibial Foam Cover, Neuter, 21.5 in. (546 mm) B/K	<b>189122</b>



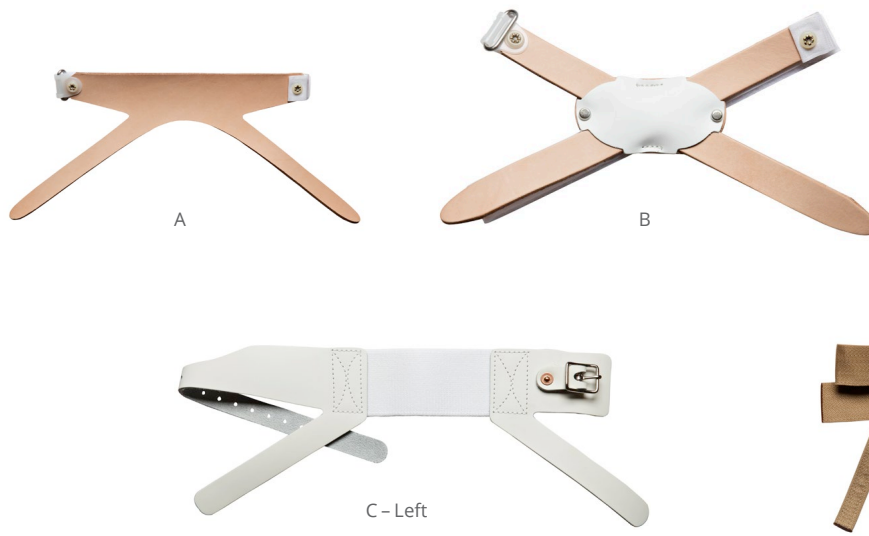


# Auxiliary Suspension

# PTB Cuff Suspension



TT



## Ordering Information

Description	Left	Right
A Non-Adjustable with Velcro	129122	129114
B Adjustable Cross with Velcro	129106	129098
C Top Grade Leather with Heavy 2 in. (51 mm) Elastic Center Section, Pre-Punched Holes, Unlined	129625	129628
D Pediatric	129630	
Right Transtibial Waist Belt, Circumference 30 – 44 in. (762 – 1117 mm), Adjustable	129148	
Left Transtibial Waist Belt, Circumference 30 – 44 in. (762 – 1117 mm), Adjustable	129155	

# RMB Bar Channel Assembly for Supracondylar Suspension



TT TF

## Product Features

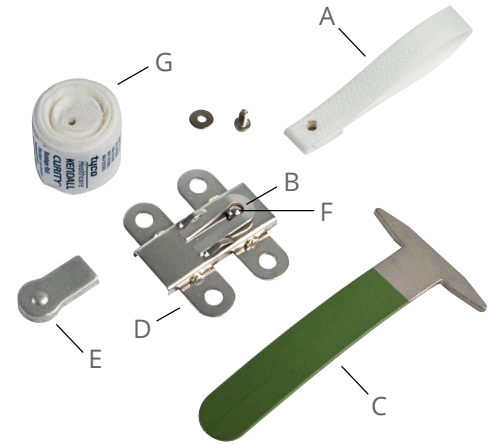
- For removable medial brim with transtibial, supracondylar suspension

## Ordering Information

Description	Product Number
RMB Bar Channel Assembly	<b>127001</b>
<b>Replacement Parts</b>	
A 127050 – Pull strap with screw and washer	E 127043 – Lamination block
B 127561 – Spring, ball retainer	F 127092 – Ball, ¼
C 127076 – Bar, ½ × ¾, Teflon coated	G 810200 – Gauze, 1 in.
D 127027 – Channel, ½ × ¾	

Description	Product Number
Heavy Duty RMB Bar Channel Assembly	<b>127019</b>
<b>Replacement Parts</b>	
A 127050 – Pull strap with screw and washer	E 127043 – Lamination block
B 127561 – Spring, ball retainer	F 127092 – Ball, ¼
C 127078 – Bar, ½ × ¾, Teflon coated	G 810200 – Gauze, 1 in.
D 127035 – Channel, heavy duty, ½ × ¾	

Description	Product Number
Bar Vise Clamp	<b>127100</b>



Feet

Adapters

Valves

Locks

Sleeves & Liners

Knees

Cosmetic Solutions

Auxiliary Suspension

Pediatric

# Femoral Plastisol Condylar Wedges



## Product Features

- For transtibial, supracondylar suspension
- Flexible silicone



## Ordering Information

Size	Width	Thickness	Product Number
Small	Regular, 2 3/4 in.	5/8 in.	127522
Small	Extra thick, 2 3/4 in.	3/4 in.	127530
Medium	Regular, 3 1/4 in.	3/4 in.	127548
Medium	Extra thick, 3 1/4 in.	7/8 in.	127555
Medium	X-Extra thick, 3 1/4 in.	1 in.	127563
Medium	X-Extra thick, with Velcro		127557
Large	Regular, 3 1/2 in.	3/4 in.	127571
Large	Extra thick, 3 1/2 in.	1 in.	127597
Large	X-Extra thick, 3 1/2 in.	1 1/8 in.	127589
Large	X-Extra thick, with Velcro		127559

# Transtibial Waist Belt



## Product Features

- Adjustable circumference, 30 – 44 in. (76 – 112 cm)



## Ordering Information

Description	Product Number
Transtibial Waist Belt, Right	129148
Transtibial Waist Belt, Left	129155
Inverted Y Strap	209LSE800

## Silesian Belt Kit Transfemoral Belt

TF



### Ordering Information

Description	Product Number
Silesian Belt Complete, Reversible Right or Left	129130
<b>Includes:</b>	
Webbing Belt with Chafe and D Ring, German Chrome Strap Buckle and Attachment Plate And Screws	

## Universal Silesian Belt Kit



### Ordering Information

Description	Product Number
Universal Silesian Belt Kit	129125
<b>Includes:</b>	
Velcro, Chafes, and Loops Ready to Be Fitted and Adapted to Individual Patient	

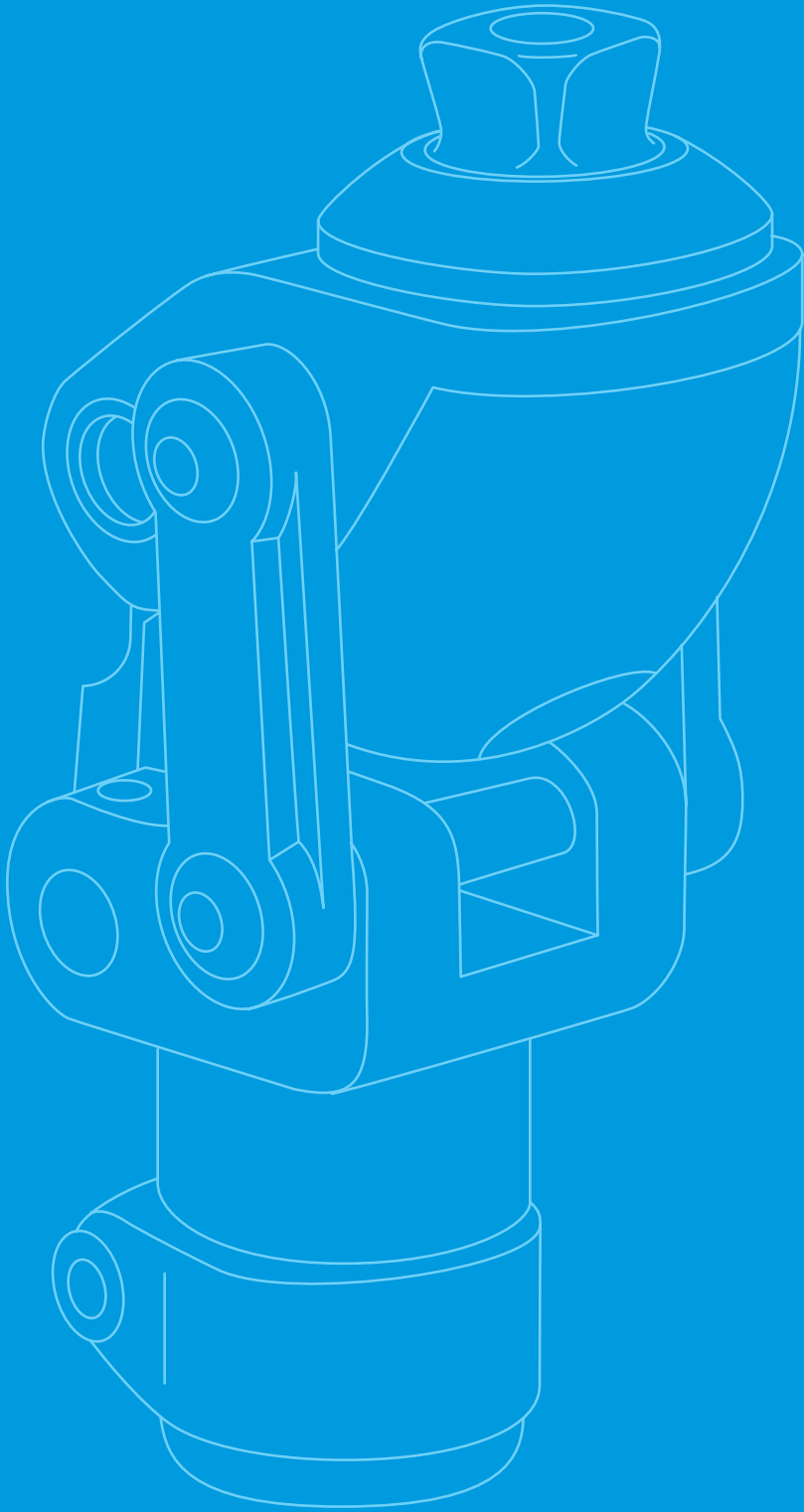
## Socket Attachment Plate for Silesian Belt



### Ordering Information

Description	Product Number
Socket Attachment Plate	129171
<b>Includes:</b>	
Washer and Screw	





Pediatric

# AllPro: Pediatric



- K3
- K4
- TT
- TF

## Specifications

**Weight limit:** 119 lbs. (54 kg)  
**Heel Height:** 0.4 in. (10 mm)  
**Product weight:** 9.6 oz. (273 g)  
 Size 20, 8 in.  
**Durability:** Meets ISO 22675

## Build Heights

8.0 in. (20.3 cm)  
 6.0 in. (15.2 cm)

## Product Features

- Versatile foot function adapts to all activities
- Industry-leading flexibility provides excellent plantar and dorsiflexion
- Split Toe for multiaxial movement
- Carbon composite design for dynamic response
- Adjustable heel bumpers
- Sandal toe and a pediatric pyramid in size 19 – 21



## Ordering Information

- Includes foot, spectra sock, and instruction manual
- Foot shell ordered separately

### Product Number

Replace XX-XX with the correct length and weight details from the table below. For above knee amputees, add “-AK” following the part number. For example, 137-108-26-C5-AK.

Model	Height	Foot Sizes	Product Number
AllPro Foot	6 in. (15.2 cm)	19 – 21 cm	<b>137-106-XX-XX</b>
AllPro Foot	8 in. (20.3 cm)	19 – 21 cm	<b>137-108-XX-XX</b>

Weight		19 cm	20 cm	21 cm
50 – 74 lbs.	23 – 33 kg	<b>19-3A1</b>	<b>20-3A1</b>	<b>21-3A1</b>
75 – 99 lbs.	34 – 44 kg	<b>19-2A1</b>	<b>20-2A1</b>	<b>21-2A1</b>
100 – 119 lbs.	45 – 54 kg	<b>19-A2</b>	<b>20-A2</b>	<b>21-A2</b>

For the complete AllPro range, see page 12.

# Pediatric Formula™



K3 K4 TT

## Specifications

**Weight rating:** 125 lbs. (57 kg)

**Foot size:** 16 – 24 cm

**Functional levels:** K3 – K4

**Product Weight:** 9 – 11.6 oz. (255 – 330 g)

**Pylon height:** 16 in. (41 cm)—can be cut to 9 in. (23 cm)

**Build height:** 1.5 in. (3.8 cm)

## Standard Product Features

- Posterior mount design provides ideal balance of flexibility and power
- Long, carbon-composite pylon delivers lightweight, dynamic response
- Full-split sandal toe offers maximum multiaxial function
- Pylon accommodates growth up to two additional foot plate sizes
- Fits a standard, sandal-toe foot shell

## Custom Product Features

- All the benefits of the standard foot
- Slotted pylon allows up to 1 inch of vertical growth
- Simple height adjustment with included mounting bracket



## Ordering Information

Weight		Standard Pylon	Custom Pylon
30 – 45 lbs.	14 – 20 kg	<b>178-120-5A</b>	<b>178-120-5A-C</b>
46 – 60 lbs.	21 – 27 kg	<b>178-120-4A</b>	<b>178-120-4A-C</b>
61 – 75 lbs.	28 – 34 kg	<b>178-120-3A</b>	<b>178-120-3A-C</b>
76 – 99 lbs.	35 – 45 kg	<b>178-120-2A</b>	<b>178-120-2A-C</b>
100 – 125 lbs.	45 – 57 kg	<b>178-120-A</b>	<b>178-120-A-C</b>

## Foot Plate

Foot Size	Left	Right
16 cm	<b>178-120-16L</b>	<b>178-120-16R</b>
17 cm	<b>178-120-17L</b>	<b>178-120-17R</b>
18 cm	<b>178-120-18L</b>	<b>178-120-18R</b>
19 cm	<b>178-120-19L</b>	<b>178-120-19R</b>
20 cm	<b>178-120-20L</b>	<b>178-120-20R</b>
21 cm	<b>178-120-21L</b>	<b>178-120-21R</b>
22 cm	<b>178-120-22L</b>	<b>178-120-22R</b>
23 cm	<b>178-120-23L</b>	<b>178-120-23R</b>
24 cm	<b>178-120-24L</b>	<b>178-120-24R</b>

## Posterior Mounting Bracket (Optional)

Included with custom-slotted pylon

Description	Material	Part Number
Pediatric Posterior Mounting Bracket	Aluminum	<b>180-10-3000</b>



# MightyMite® SACH Feet



TT

TF

## Specifications

Weight limit: 132 lbs. (60 kg)

Product weight (17): 6.4 oz. (182 g)

Build height: 2.5 – 2.625 in. (64 – 67 mm)

Heel height (14 – 17): 0.25 in. (6 mm)

Heel height (18 – 21): 0.375 in. (10 mm)



## Product Features

- Smooth appearance
- Shaped ankle
- Reinforced sole and maple keel for durability
- “Webbed” between great and second toe to allow modification for sandal
- Medium durometer heel

## Ordering Information

Size	Product Number Left	Product Number Right
14 cm	FC100314L	FC100314R
15 cm	FC100315L	FC100315R
16 cm	FC100316L	FC100316R
17 cm	FC100317L	FC100317R
18 cm	FC100318L	FC100318R
19 cm	FC100319L	FC100319R
20 cm	FC100320L	FC100320R
21 cm	FC100321L	FC100321R

# MightyMite® SACH Foot Adapter



## Specifications

Weight limit: 132 lbs. (60 kg)

Product weight: 1.2 oz. (33 g)

Build height: 0.75 in. (1.9 cm)

Material: Aluminum with Titanium Pyramid



## Ordering Information

Description	Product Number
SACH Foot Adapter, with Medium Titanium Pyramid	<b>FC100110</b>
<b>Replacement Parts</b>	
880289 – SACH Foot Bolt, M8 × 1 ¼ × 50, Socket Head Cap Screw	

# MightyMite® SACH Growth Compensation Spacer



## Specifications

Weight limit: 132 lbs. (60 kg)

Product weight: 0.7 oz. (21 g)

Build height: 0.25 in. (6.35 mm)

Material: Aluminum



FC100104

## Ordering Information

### MightyMite® SACH Growth Compensation Spacer with Lock Washer

Description	Product Number
SACH Foot Growth Compensation Spacer	<b>FC100104</b>
<b>Replacement Parts</b>	
880 710 – Lock Washer, ⅜ in. Zinc Plated Steel, 2 Each	

# MightyMite® 22 mm Pylons



## Ordering Information

Note: Titanium Pyramid Receiver recommended for high activity users

### Pylon Tubes

Description	Material	Weight	Weight limit	Length	Product Number
Pylon Tube (22 mm)	Aluminium	4.1 oz. (117 g)	99 lbs. (45 kg)	11.8 in. (300 mm)	<b>FC100140</b>
Pylon Tube (22 mm)	Alloy Steel	8.0 oz. (227 g)	132 lbs. (60 kg)	15.75 in. (400 mm)	<b>FC100142</b>

### Integrated Tubes

Receiver	Material	Weight	Weight Limit	Length	Product Number
Medium Aluminum Pyramid Receiver (22 mm)	Aluminium	5.4 oz. (153 g)	99 lbs. (45 kg)	11.8 in. (300 mm)	<b>FC100118</b>
Medium Aluminum Pyramid Receiver (22 mm)	Alloy Steel	9.3 oz. (263 g)	132 lbs. (60 kg)	15.75 in. (400 mm)	<b>FC100120</b>
Medium Titanium Pyramid Receiver (22 mm)	Alloy Steel	9.3 oz. (263 g)	132 lbs. (60 kg)	15.75 in. (400 mm)	<b>FC100119</b>
Adult Aluminum Pyramid Receiver (30 mm)	Alloy Steel	9.3 oz. (263 g)	132 lbs. (60 kg)	15.75 in. (400 mm)	<b>FC100121</b>

### Replacement Parts

882608 – Set Screw, M6 × 1 × 12 Alloy Flat Point, 4 Each

### Accessories

Description	Product Number
Tubing Cutter	<b>220310</b>
Heavy Duty Replacement Wheel	<b>220311</b>
Heavy Duty Replacement Wheel (For Rigid Cutter)	<b>220312</b>

# MiniShock



## Specifications

**Weight limit:** 132 lbs. (60 kg)  
**Product weight:** 4.6 oz. (130 g)  
**Build height:** 2.4 in. (60 mm)  
**Material:** Titanium

## Product Features

- Minimum clearance
- 0.4 in. (10mm) vertical shock
- 60° of axial rotation (30° in each direction)
- Adapts to 22 mm base components



## Ordering Information

Description	Product Number
MiniShock	MS001SS

NOTE: Weights are a suggested guide for torque and shock performance. Individual preference and performance will vary. The dampening ring included with each pylon is used to reduce the amount of rotation and vertical compression.

# MightyMite® BK Tube Clamp



## Specifications

**Diameter:** 22 mm



FC100123

FC100124

## Ordering Information

Description	Material	Weight Limit	Product Weight	Build Height	Product Number
Tube Clamp	Titanium	132 lbs. (60 kg)	1.6 oz. (46 g)	1.6 in. (41 mm)	<b>FC100123</b>
Tube Clamp for Large Pyramid	Aluminum	132 lbs. (60 kg)	1.6 oz. (45 g)	1.7 in. (43 mm)	<b>FC100124</b>

## Replacement Parts

- 882608 – Set Screw, M6 × 1 × 12 Alloy Flat Point, 4 Each
- 882418 – Screw, M4 × 0.7 × 14 Alloy Socket Head Cap Screw, 1 Each

# MightyMite® 4-Hole Adapter



TT TF

## Specifications

Weight limit: 132 lbs. (60 kg)

Product weight: 1.4 oz. (39 g)

Build height: 0.29 in. (7 mm)

Material: Aluminum with Titanium Pyramid



## Ordering Information

Description	Product Number
4-Hole Adapter, with Medium Titanium Pyramid, Pediatric 4-Hole Pattern	<b>FC100114</b>

# MightyMite® 4-Hole Distal Attachment Blocks



TT TF

## Specifications

Weight limit: 132 lbs. (60 kg)



FC100150



FC100151

## Ordering Information

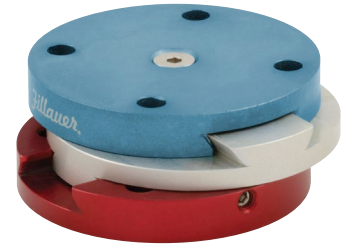
Description	Material	Product Weight	Build Height	Product Number
4-Hole Distal Attachment Block Kit	Composite Glass Filled Polycarbonate	1.1 oz. (30 g)	0.56 in. (14 mm)	<b>FC100150</b>
4-Hole Distal Attachment Block	Aluminum	2.3 oz. (64 g)	0.49 in. (12 mm)	<b>FC100151</b>

# MightyMite® Alignment Adapter



## Specifications

Material: Aluminum



## Ordering Information

Description	Product Number
Alignment Adapter	FC100160

# MightyMite® BK Socket Adapter



## Specifications

Weight limit: 132 lbs. (60 kg)

Product weight: 1.4 oz. (39 g)

Build height: 0.27 in. (7 mm)

Material: Aluminum with Titanium Pyramid



## Ordering Information

Description	Product Number
BK Socket Adapter, with Medium Titanium Pyramid	FC100152

## Replacement Parts

122053 – BK Adapter Lamination Cap

# MightyMite® Rotatable Pyramid Receiver



TT TF

## Specifications

Material: Aluminum



FC100134



FC100144



FC100135

## Ordering Information

Description	Weight Limit	Product Weight	Build Height	Product Number
Rotatable Medium Pyramid Receiver	132 lbs. (60 kg)	0.9 oz. (27 g)	0.52 in. (13 mm)	<b>FC100134</b>
Rotatable Small Pyramid Receiver, for Other Manufacturers' Knees	99 lbs. (45 kg)	0.9 oz. (25 g)	0.43 in. (11 mm)	<b>FC100144</b>
Rotatable Pyramid	132 lbs. (60 kg)	1.2 oz. (35 g)	0.12 in. (3 mm)	<b>FC100135</b>

# MightyMite® 4-Hole Adapter with Rotation



TT TF

## Specifications

Material: Aluminum



## Ordering Information

Description	Weight Limit	Build Height	Product Weight	Product Number
Pediatric 4-Hole Adapter, with Rotation	132 lbs. (60 kg)	0.33 in. (8.5 mm)	0.9 oz. (25 g)	<b>FC100132</b>

# MightyMite® AK Socket Adapter



TT TF

## Specifications

Material: Stainless Steel



## Ordering Information

Description	Weight Limit	Product Weight	Build Height	Product Number
AK Socket Adapter, with Rotation	132 lbs. (60 kg)	2.5 oz. (70 g)	0.38 in. (10 mm)	<b>FC100130</b>

# MightyMite® 4-Bar Knee



K3 K4 TF

## Specifications

- Weight limit: 132 lbs. (60 kg)
- Product weight: 9.1 oz. (258 g)
- Build height: 3.75 in. (95 mm)
- Material: Aluminum

## Product Features

- Adjustable extension assist
- Standard pediatric 22 mm pylon receiver on distal end
- Multiple proximal attachment options
- Permits adapter rotation at top of knee



FC100510



FC100500

## Ordering Information

Description	Product Number
4-Bar Knee, Includes Pyramid Adapter	<b>FC100510</b>
4-Bar Knee, without Proximal Attachment	<b>FC100500</b>

# MightyMite® 4-Bar Knee Proximal Attachments



TF

## Specifications

- Weight limit: 132 lbs. (60 kg)

## Ordering Information

Description	Material	Product Weight	Build Height	Product Number
Pyramid Adapter	Titanium	1.4 oz. (41 g)	0.1 in. (3 mm)	<b>FC100501</b>
Slide Adapter	Aluminum	2.4 oz. (69 g)	0.6 in. (15 mm)	<b>FC100502</b>
4-Hole Adapter	Aluminum	1.5 oz. (43 g)	0.2 in. (5 mm)	<b>FC100503</b>
Threaded Adapter	Aluminum	1.2 oz. (33 g)	0 in. (0 mm)	<b>FC100504</b>
4-Hole Plate with Male Dovetail	Aluminum	1.4 oz. (40 g)	0.2 in. (5 mm)	<b>FC100505</b>



FC100501



FC100502



FC100503



FC100504



FC100505

# Small Modular Shuttle Lock with Delrin Housing



TT

## Specifications

Weight limit: None

Product Weight: 1.1 oz. (32 g)

Build Height: 0.9 in. (22 mm)

Material: Delrin



## Ordering Information

Description	Product Number
Small Delrin Shuttle Lock Kit 1.0 in. (25 mm) Plunger, ¼-20 Thread	<b>125410</b>
Small Delrin Shuttle Lock Kit 1.5 in. (38 mm) Plunger, ¼-20 Thread	<b>125412</b>
Small Delrin Shuttle Lock Kit 1.0 in. (25 mm) Plunger, M10 Thread	<b>125410MM</b>
Small Delrin Shuttle Lock Kit 1.5 in. (38 mm) Plunger, M10 Thread	<b>125412MM</b>

### Replacement Parts

809810 – Shuttle Lock Body, Small	809729 – Latch Pin
809760 – Compression Spring	809775 – Latch Pin Button
809816 – Shuttle Lock	809773 – Guide Screw
809820 Housing	880033 – 6-32 × 5/16 in. Socket Head Set Screw
809784 – Shield	

### Shuttle lock sub assembly

Description	Product Number
Shuttle Lock Sub Assembly	<b>809808</b>

### Replacement Parts

809810 – Shuttle Body	809760 – Compression Spring
809816 – Shuttle Lock	880033 – 6-32 × 5/16 in. Socket Head Set Screw

### Fabrication Kit – Thermoforming and Lamination

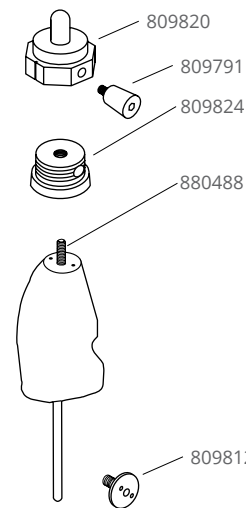
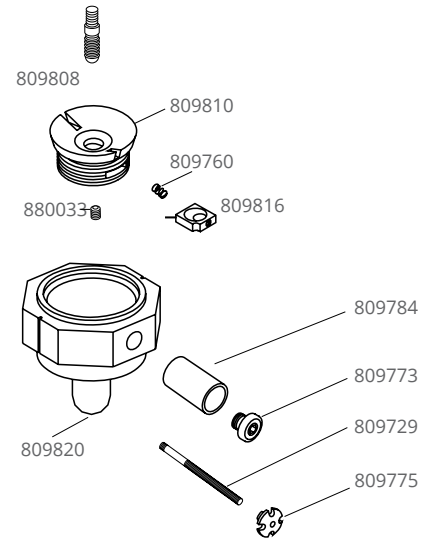
Description	Product Number
Fabrication Kit	<b>125420</b>

### Replacement Parts

809824 – Housing Dummy	809791 – Button Shield Dummy
880488 – ¼-20 × 2 in. Socket Head Set Screw	809812 – Button Shield Substitute

### Small delrin Plungers

Description	Product Number
Plunger, 1.0 in. (25 mm), ¼-20 Thread	<b>809826</b>
Plunger, 1.5 in. (38 mm), ¼-20 Thread	<b>809827</b>
Plunger, 1.0 in. (25 mm), M10 Thread	<b>809826MM</b>
Plunger, 1.5 in. (38 mm), M10 Thread	<b>809827MM</b>



Feet

Adapters

Valves

Locks

Sleeves & Liners

Knees

Cosmetic Solutions

Auxiliary Suspension

Pediatric

# MightyMite® Modular Shuttle Lock with Titanium Pyramid



## Specifications

Weight limit: 132 lbs. (60 kg)

Product Weight: 2.7 oz. (76 g)

Build Height: 1.25 in. (32 mm)

Material: Titanium pyramid, Aluminum housing

## Ordering Information

Description	Product Number
Titanium Pyramid Shuttle Lock, without Plunger	<b>FC100202</b>

### Replacement Parts

122102 – Housing	809775 – Latch Pin Button
809810 – Shuttle Body	809816 – Shuttle Lock
809784 – Button Shield	809760 – Compression Spring
809773 – Guide Screw	880033 – 6-32 × 5/16 in. Socket Head Set Screw
809729 – Latch Pin	122053 – Lamination Cap

### Shuttle Lock Sub Assembly

Description	Product Number
Shuttle Lock Sub Assembly	<b>809808</b>

### Replacement Parts

809810 – Shuttle Body	809760 – Compression Spring
809816 – Shuttle Lock	880033 – 6-32 × 5/16 in. Socket Head Set Screw

### Fabrication Kit – Thermoforming and Lamination

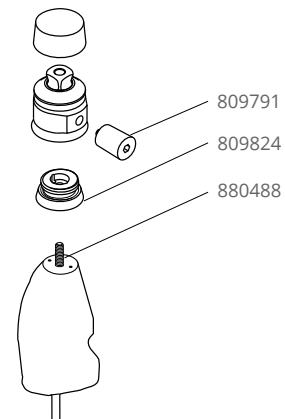
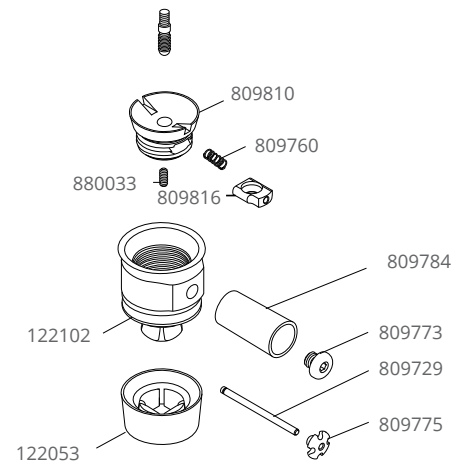
Description	Product Number
Fabrication kit	<b>125420</b>

### Replacement Parts

809824 – Shuttle Body Dummy
809791 – Button Shield Dummy
880488 – 1/4-20 × 2 in. Socket Head Set Screw

### Plungers

Description	Product Number
Plunger 1.0 in. (25 mm), with 1/4-20 Thread	<b>809826</b>
Plunger 1.5 in. (38 mm), with 1/4-20 Thread	<b>809827</b>
Plunger 1.0 in. (25 mm), with M10 Thread	<b>809826MM</b>
Plunger 1.5 in. (38 mm), with M10 Thread	<b>809827MM</b>



Feet

Adapters

Valves

Locks

Sleeves & Liners

Knees

Cosmetic Solutions

Auxiliary Suspension

Pediatric

# MightyMite® Shuttle Lock with Cylindrical Housing



TT

## Specifications

**Weight limit:** 132 lbs. (60 kg)

**Product Weight:** 2.8 oz. (79 g)

**Build Height:** 1 in. (25 mm)

**Material:** Delrin



## Ordering Information

Description	Product Number
Cylindrical Housing Shuttle Lock, without Plunger	<b>FC100204</b>

### Replacement Parts

122104 – Cylindrical Housing, Upper	809729 – Latch Pin
122105 – Cylindrical Housing, Lower	809775 – Latch Pin Button
809784 – Button Shield	809773 – Guide Screw
809810 – Shuttle Lock Body, Small	880033 – 6-32 × 5/16 in. Socket Head Set Screw
809760 – Compression Spring	880271 – M5 × 0.8 × 18 Flat Head Socket Cap
809816 – Shuttle Lock	882510 – M5 × 0.8 × 18 Socket Head Cap Screw
809820 Housing	809830 – 2 in. Diameter Housing Adhesive Seal
809784 – Shield	880251 – 3/8 Stainless Steel Sheet Metal Screw (4)

### Shuttle Lock Sub Assembly

Description	Product Number
Shuttle Lock Sub Assembly	<b>809808</b>

### Replacement Parts

809 810 – Shuttle Body	809 760 – Compression Spring
809 816 – Shuttle Lock	880 033 – 6-32 × 5/16 in. Socket Head Set Screw

### Fabrication Kit – Thermoforming and Lamination

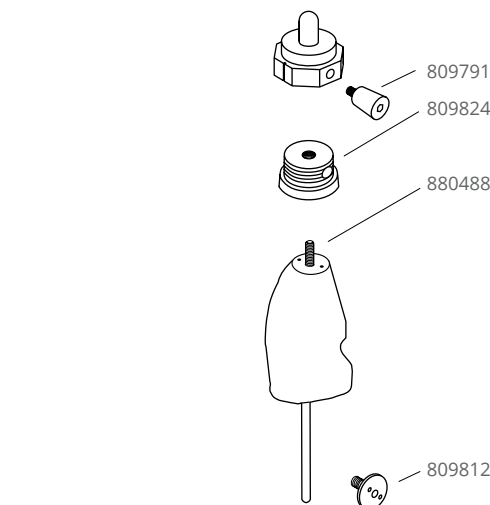
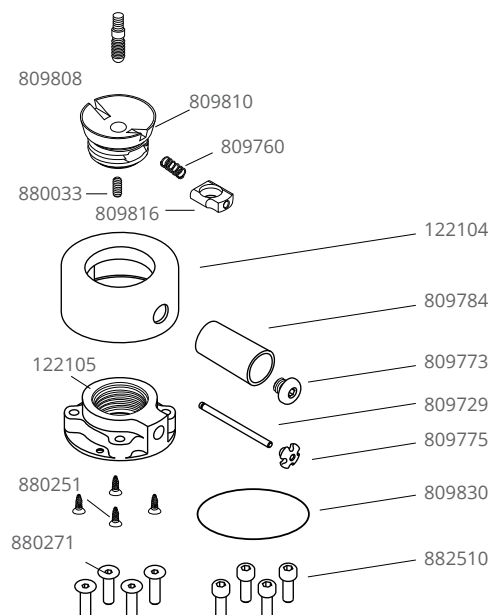
Description	Product Number
Fabrication Kit	<b>125420</b>

### Replacement Parts

809824 – Housing Dummy	809791 – Button Shield Dummy
880488 – 1/4-20 × 2 in. Socket Head Set Screw	809812 – Button Shield Substitute

### Plungers

Description	Product Number
Plunger, 1.0 in. (25 mm), with 1/4-20 Thread	<b>809826</b>
Plunger, 1.5 in. (38 mm), with 1/4-20 Thread	<b>809827</b>
Plunger, 1.0 in. (25 mm), with M10 Thread	<b>809826MM</b>
Plunger, 1.5 in. (38 mm), with M10 Thread	<b>809827MM</b>



Feet

Adapters

Valves

Locks

Sleeves & Liners

Knees

Cosmetic Solutions

Auxiliary Suspension

Pediatric

# Mini Shuttle Lock



## Specifications

Weight limit: None

Product Weight: 1.1 oz. (32 g)

Build Height: 0.8 in. (21 mm)

Material: Delrin



## Ordering Information

Description	Product Number
Mini Shuttle Lock Kit 1.0 in. (25 mm) Plunger, ¼-20 Thread	<b>125450</b>
Mini Shuttle Lock Kit 1.0 in. (25 mm) Plunger, M6 Thread	<b>125450MM</b>

### Replacement Parts

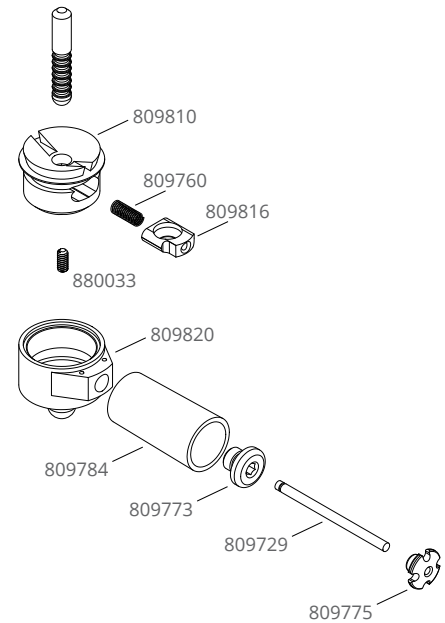
809760 – Compression Spring	809775 – Latch Pin Button
809816 – Shuttle Lock	809773 – Guide Screw
809784 – Shield	880033 – 6-32 × 5/16 in. Socket Head Set Screw
809729 – Latch Pin	

### Shuttle lock sub assembly

Description	Product Number
Shuttle Lock Sub Assembly	<b>809808</b>

Replacement Parts	
809810 – Shuttle Body	809760 – Compression Spring
809816 – Shuttle Lock	880033 – 6-32 × 5/16 in. Socket Head Set Screw



### Fabrication Kit – Thermoforming and Lamination

Description	Product Number
Fabrication Kit	<b>125420</b>

Replacement Parts	
880488 – ¼-20 × 2 in. Socket Head Set Screw	809812 – Button Shield Substitute
809791 – Button Shield Dummy	

### Small Delrin Plungers

Description	Product Number
Plunger, 1.0 in. (25 mm), ¼-20 Thread	<b>809826</b>
Plunger, 1.5 in. (38 mm), ¼-20 Thread	<b>809827</b>
Plunger, 1.0 in. (25 mm), M6 Thread	<b>809823MM</b>
Plunger, 1.5 in. (38 mm), M6 Thread	<b>809825MM</b>
Plunger, 1.0 in. (25 mm), M10 Thread	<b>809826MM</b>
Plunger, 1.5 in. (38 mm), M10 Thread	<b>809827MM</b>



Feet

Adapters

Valves

Locks

Sleeves & Liners

Knees

Cosmetic Solutions

Auxiliary Suspension

Pediatric



# Index by Description

## Symbols

4-Bar Knee	80, 95
4-Bar Knee Proximal Attachments	80, 95
4-Hole Adapter	31, 99
4-Hole Adapter with Rotation	101
4-Hole Distal Attachment Block	98
4-Hole Plate with Male Dovetail	97
4-Prong Adapter	32
22 mm Pylon	34, 96
30 mm Pylon	33
34 mm Pylon	34

## A

Absolute Cushion Liner – No Fabric	70
Absolute Cushion Liner – Thick Bottom	69
Absolute Cushion Liner – Thin Bottom	68
Absolute Liner – Full Matrix	65
Absolute Locking Liner – Thick Bottom	67
Absolute Locking Liner – Thin Bottom	66
Absolute Preflexed Sleeve	62
Absolute Straight Sleeve	63
Absolute Straight Sleeve – No Fabric	64
Aeris Activity	22
Aeris Performance 2	16
Aeris Performance LP	17
Air Expulsion Valve	37
AK Socket Adapter	100
Alignment Adapter	98
AllPro	12
AllPro: Pediatric	92
AllPro: Posterior Mount	13
ALP-ALU 4-Hole Adapter	31
Aluminum 30 mm Pylon	33

## B

Bar Channel Assembly for Supracondylar Suspension	87
BK Socket Adapter	99
Blade	15

## C

Clutch Lock Plungers	58
Clutch Lock with Cylindrical 4-Hole Housing	56
Clutch Lock with Delrin Housing	55
Clutch Lock with Titanium Pyramid	54
CLV Valve	40
Condylar Wedges	88

Cord Lock	60
CSS Valve	41
CSS Valve Kit with Pyramid Lamination Adapter	42
CTFV – CSF Valve	40
Cushion Liner	68 – 70
Custom Made Liner	71
Cylindrical Lock	50

## D

Distal Attachment Block	98
Double Adapter Pyramid Male / Female	31
Dream Skin	82
DuraShock	28
DuraShock Short	29
DuraShock with Tube Clamp	29

## E

Element	20
Element DS	19
Endurance Hydraulic 160 Knee System	74
Expanded Pe-Lite™ Leg Covers for Transtibial Prosthesis	83

## F

Femoral Plastisol Condylar Wedges	88
Foam Covers	83
Foam Fairings for Transtibial Prosthesis	83
Formula™	14
Friction Knee	78

## G

Gator Grip Cylindrical Lock	53
Gator Grip Delrin Lock	52
Gator Grip Plungers	58
Gator Grip with Ti Pyramid Lock	51

## H

Hydraulic Control	75
Hydraulic Knee	74

## I

Ibex XD	18
---------	----

## K

K2 Foot	23
---------	----

<b>L</b>		
Lanyard Plunger	58	
Latch Pins	59	
Leak-Rate Total Contact Valve	38	
Liner – Full Matrix	65	
Liner Lanyard	59	
Lite Phase Hydraulic Control	75	
Lock Device Plungers	58	
Locking Knee	77, 79	
Locking Liner	66–67	
<b>M</b>		
MightyMite® 4-Bar Knee	80, 95	
MightyMite® 4-Bar Knee Proximal Attachments	80, 95	
MightyMite® 4-Hole Adapter	99	
MightyMite® 4-Hole Adapter with Rotation	101	
MightyMite® 4-Hole Distal Attachment Block	98	
MightyMite® 4-Hole Plate with Male Dovetail	97	
MightyMite® 22 mm Pylons	34, 96	
MightyMite® AK Socket Adapter	100	
MightyMite® Alignment Adapter	98	
MightyMite® BK Socket Adapter	99	
MightyMite® BK Tube Clamp	97	
MightyMite® Modular Shuttle Lock with Titanium Pyramid	103	
MightyMite® Rotatable Pyramid Receiver	100	
MightyMite® SACH Feet	93	
MightyMite® SACH Foot Adapter	94	
MightyMite® SACH Growth Compensation Spacer	94	
MightyMite® Shuttle Lock with Cylindrical Housing	102	
MiniShock	30, 101	
Mini Valve for Vacuum Socket	41	
Modular Shuttle Lock with 4-Hole Housing	49	
Modular Shuttle Lock with Cylindrical Housing	48	
Modular Shuttle Lock with Delrin Housing	47, 104	
Modular Shuttle Lock with Titanium Pyramid	46, 103	
Motion Foot® MX	24	
<b>O</b>		
Original Shuttle Lock	45	
<b>P</b>		
Pe-Lite™ Leg Covers for Transtibial Prosthesis	83	
Plastic and Aluminum Screw-In Suction Valve	37	
Plastisol Condylar Wedges	88	
Plungers	58	
Pneumatic Knee	76	
Preflexed Sleeve	62	
Proximal Attachments	80, 95	
PTB Cuff Suspension	86	
Pylon	33, 34	
Pylons	96	
Pyramid	31	
Pyramid Lamination Adapter	42	
Pyramid Receiver	100	
<b>R</b>		
Raize	25	
Red Dot Air Expulsion Valve	37	
RMB Bar Channel Assembly for Supracondylar Suspension	87	
Rotatable Pyramid Receiver	100	
Running Blade	15	
<b>S</b>		
SACH Feet	93	
SACH Foot Adapter	94	
SACH Growth Compensation Spacer	94	
S.A.F.K. (Single Axis Friction Knee)	78	
S.A.L.K. (Single Axis Locking Knee)	79	
Scandinavian Flexible Socket	39	
Screw-In Suction Valve	37, 38	
S.F.S. Valve	39	
SFX	30	
Shuttle Lock Plungers	58	
Shuttle Lock with Cylindrical Housing	102	
Shuttle Vac	57	
Sierra Screw-In Suction Valve	38	
Silesian Belt Kit	89	
Silesian Belt Kit Transfemoral Belt	89	
Single Axis Friction Knee	78	
Single Axis Locking Knee	79	
Small Delrin Shuttle Lock Plungers	58	
Small Modular Shuttle Lock with Delrin Housing	104	
Socket Adapter	99, 100	
Socket Attachment Plate for Silesian Belt	89	
Spectrum EX 4-Bar Pneumatic Knee	76	
Stance Flexion Adapter	30	
Straight Sleeve	63, 64	
Suction Valve	38	
Supracondylar Suspension	87	
<b>T</b>		
Total Contact Valve	38	
Transfemoral Belt	89	
Transtibial Waist Belt	88	
Tube Clamp	29, 97	
Tube Clamp Adapter for 34 mm Tube	32	
<b>U</b>		
Universal Silesian Belt Kit	89	

V

Waist Belt ..... 88  
 W.A.L.K. (Weight Activated Locking Knee) ..... 77  
 Wave Comfort 3 ..... 21  
 Wedges ..... 88  
 Weight Activated Locking Knee ..... 77

X

XD Heavy Duty 4-Prong Adapter ..... 32  
 XD Heavy Duty 34 mm Pylon ..... 34  
 XD Heavy Tube Clamp Adapter for 34 mm Tube ..... 32



# Index by Part Number

45-XX-13-03-3	12 – 13, 16 – 25	52002	38	62882	25
45-XX-13-09-3	12 – 13, 16 – 25	52211	75	62883	25
45-XX-13-13-3	12 – 13, 16 – 25	52290	38	62884	25
45-XX-13-99-3	12 – 13, 16 – 25	52351	36, 38	62885	25
46-XX-13-03-3	12 – 13, 16 – 25	56191	79	62886	25
46-XX-13-09-3	12 – 13, 16 – 25	58607	76	62916	25
46-XX-13-13-3	12 – 13, 16 – 25	60254	74	62917	25
46-XX-13-99-3	12 – 13, 16 – 25	60416	74	62918	25
100-10-XX-XXX	20	60471	79	62919	25
100-40-4000	15	60475	79	62920	25
105-10-XX-XXXX	19	60709	77 – 78	62921	25
120-10-XX-XXXX	18	60785	77	62922	25
122-10-XX-XX	16	60794	77	62923	25
123-10-XX-X	17	60821	78	70465	75
131-10-XX-X	22	60823	78	124171	59
134-03L-XX-X	23	60825	77 – 78	125032	33
134-03R-XX-X	23	60847	79	125034	33
134-09L-XX-X	23	61088	79	125202	49
134-09R-XX-X	23	61240	76	125204	44, 49
134-13L-XX-X	23	61242	76	125229	44 – 45
134-13R-XX-X	23	61243	76	125232	45
134-99L-XX-X	23	61245	76	125232MM	45
134-99R-XX-X	23	61246	76	125234	45
135-10-XX-XXX	21	61336	76	125234MM	45
137-106-XX-XX	92	61337	76	125237	45
137-108-XX-XX	92	61338	76	125237MM	45
137-PM-XX-XX	13	61339	76	125239	44 – 48
174-110-X	15	61570	76	125240	44, 50
174-120-X	15	61786	76	125241	50
176-110-X	15	62041	74	125410	44, 104
178-110-2A	14	62202	74	125410MM	104
178-110-A	14	62203	74	125412	104
178-110-B	14	62204	74	125412MM	104
178-110-C	14	62205	74	125420	44, 102 – 103, 104
178-110-D	14	62662	30	125459	44, 47
178-110-E	14	62762	30	125460	44, 46
178-110-F	14	62763	30	125461	44, 49
180-10-2010	13	62869	25	125462	44, 48
180-10-2010	14	62870	25	125540	59
180-10-2010	15	62871	25	125900	57
180-10-2010	22	62872	25	126100	18, 32
209LSE800	88	62873	25	126120	18, 32
50427	79	62874	25	126133	18, 34
51936	36	62875	25	127001	87
51936	37	62876	25	127019	87
51971	36 – 37	62877	25	127100	87
51980	37	62878	25	127522	88
51981	38	62879	25	127530	88
51982	36, 38	62880	25	127548	88
52001	38	62881	25	127555	88

Feet  
 Adapters  
 Valves  
 Locks  
 Sleeves & Liners  
 Knees  
 Cosmetic Solutions  
 Auxiliary Suspension  
 Pediatric

127557.....	88	220312.....	34, 96	809867.....	44, 50
127559.....	88	238024.....	33	809922.....	58 – 59
127563.....	88	421221R/YXX4.....	82	809922MM.....	58 – 59
127571.....	88	421222R/YXX4.....	82	809925.....	58 – 59
127589.....	88	421223R/YXX4.....	82	809925MM.....	58 – 59
127597.....	88	421224R/YXX4.....	82	809927.....	58 – 59
127788.....	83	423241R/YXX4.....	82	809927MM.....	59
127790.....	83	423242R/YXX4.....	82	5020020.....	24
127792.....	83	423243R/YXX4.....	82	5020021.....	24
127794.....	83	423244R/YXX4.....	82	5020022.....	24
127796.....	83	425261R/YXX4.....	82	5020023.....	24
127798.....	83	425262R/YXX4.....	82	5020024.....	24
129098.....	86	425263R/YXX4.....	82	5020025.....	24
129106.....	86	425264R/YXX4.....	82	5020026.....	24
129114.....	86	427281R/YXX4.....	82	5020027.....	24
129122.....	86	427282R/YXX4.....	82	5020028.....	24
129125.....	89	427283R/YXX4.....	82	5020029.....	24
129130.....	89	427284R/YXX4.....	82	5020030.....	24
129148.....	86	429301R/YXX4.....	82	5020031.....	24
129148.....	88	429302R/YXX4.....	82	5020032.....	24
129155.....	86	429303R/YXX4.....	82	5020034.....	24
129155.....	88	429304R/YXX4.....	82	5020035.....	24
129171.....	89	807388.....	39	5020036.....	24
129625.....	86	807453.....	39	5020037.....	24
129628.....	86	807461.....	39	5020038.....	24
129630.....	86	807479.....	36, 39	5020039.....	24
140000.....	44, 55	807480.....	36, 39	5020040.....	24
140010.....	44, 54	807487.....	36, 39	5020041.....	24
140020.....	44, 56	807488.....	36, 39	5020042.....	24
140040.....	54 – 56, 58	809718.....	58	5020043.....	24
140041.....	54 – 56, 58	809720MM.....	45 – 47, 49 – 50, 58	5020044.....	24
140043.....	54 – 56, 58	809721MM.....	45 – 46, 49, 58	5020046.....	24
140044.....	54 – 56, 58	809722.....	45 – 50, 58	5020047.....	24
140065.....	44, 56	809722MM.....	45 – 50, 58	5020048.....	24
141001.....	44, 52	809725.....	45 – 50, 58	611200003.....	82
141002.....	44, 51	809725MM.....	45 – 50, 58	721000035.....	36, 40
141003.....	44, 53	809727.....	45 – 50, 58	721000039.....	36, 40
141009.....	53	809727MM.....	45 – 50, 58	721000060.....	36, 41
141010.....	51 – 53, 58	809728.....	59	721000089.....	36, 41
141011.....	51 – 53, 58	809729.....	59	721000090.....	41
141012.....	51 – 53, 58	809731.....	59	721000091.....	41
141015.....	51 – 53, 58	809734.....	59	731000863.....	42
141016.....	51 – 53, 58	809746.....	47 – 48	731162126.....	31
141017.....	51 – 53, 58	809768.....	58	731200001.....	60
141020.....	44, 51 – 52	809770.....	58	731200016.....	60
141021.....	44, 53	809771.....	58	731200017.....	60
189112.....	83	809808.....	102 – 104	801100301.....	71
189116.....	83	809823MM.....	58	801100302.....	71
189117.....	83	809825MM.....	58	801100401.....	71
189118.....	83	809826.....	58, 102 – 104	801100402.....	71
189122.....	83	809826MM.....	58, 102 – 104	801111314.....	70
220310.....	34, 96	809827.....	58, 102 – 104	801111318.....	70
220311.....	34, 96	809827MM.....	58, 102 – 104	801111322.....	70

801111326.....	70	802100401.....	71	803471326.....	62
801111332.....	70	802100402.....	71	803471332.....	62
801111340.....	70	802761302.....	67	803471340.....	62
801211614.....	70	802761303.....	67	804761301.....	68
801211618.....	70	802761304.....	67	804761302.....	68
801211622.....	70	802761305.....	67	804761303.....	68
801211626.....	70	802761307.....	67	804761304.....	68
801211632.....	70	802761308.....	67	804761305.....	68
801211640.....	70	802771302.....	67	804761307.....	68
801761301.....	69	802771303.....	67	804761308.....	68
801761302.....	69	802771304.....	67	804771301.....	68
801761303.....	69	802771305.....	67	804771302.....	68
801761304.....	69	802771307.....	67	804771303.....	68
801761305.....	69	802771308.....	67	804771304.....	68
801761307.....	69	802861602.....	67	804771305.....	68
801761308.....	69	802861603.....	67	804771307.....	68
801771301.....	69	802861604.....	67	804771308.....	68
801771302.....	69	802861605.....	67	804861601.....	68
801771303.....	69	802861607.....	67	804861602.....	68
801771304.....	69	802861608.....	67	804861603.....	68
801771305.....	69	802871602.....	67	804861604.....	68
801771307.....	69	802871603.....	67	804861605.....	68
801771308.....	69	802871604.....	67	804861607.....	68
801861601.....	69	802871605.....	67	804861608.....	68
801861602.....	69	802871607.....	67	804861901.....	69
801861603.....	69	802871608.....	67	804861902.....	69
801861604.....	69	802961602.....	67	804861903.....	69
801861605.....	69	802961603.....	67	804861904.....	69
801861607.....	69	802961604.....	67	804861905.....	69
801861608.....	69	802961605.....	67	804871601.....	68
801871601.....	69	802961607.....	67	804871602.....	68
801871602.....	69	802961608.....	67	804871603.....	68
801871603.....	69	802971602.....	67	804871604.....	68
801871604.....	69	802971603.....	67	804871605.....	68
801871605.....	69	802971604.....	67	804871607.....	68
801871607.....	69	802971605.....	67	804871608.....	68
801871608.....	69	802971607.....	67	804871901.....	69
801961601.....	69	802971608.....	67	804871902.....	69
801961602.....	69	803311314.....	64	804871903.....	69
801961603.....	69	803311318.....	64	804871904.....	69
801961604.....	69	803311322.....	64	804871905.....	69
801961605.....	69	803311326.....	64	804961601.....	68
801961607.....	69	803311332.....	64	804961602.....	68
801961608.....	69	803311340.....	64	804961603.....	68
801971601.....	69	803461314.....	62	804961604.....	68
801971602.....	69	803461318.....	62	804961605.....	68
801971603.....	69	803461322.....	62	804961607.....	68
801971604.....	69	803461326.....	62	804961608.....	68
801971605.....	69	803461332.....	62	804971601.....	68
801971607.....	69	803461340.....	62	804971602.....	68
801971608.....	69	803471314.....	62	804971603.....	68
802100301.....	71	803471318.....	62	804971604.....	68
802100302.....	71	803471322.....	62	804971605.....	68

Feet

Adapters

Valves

Locks

Sleeves & Liners

Knees

Cosmetic Solutions

Auxiliary Suspension

Pediatric

Feet  
Adapters  
Valves  
Locks  
Sleeves & Liners  
Knees  
Cosmetic Solutions  
Auxiliary Suspension  
Pediatric

804971607.....	68	809771303.....	65	FC100118.....	34, 96
804971608.....	68	809771304.....	65	FC100119.....	34, 96
805761301.....	66	809771305.....	65	FC100120.....	34, 96
805761302.....	66	809771307.....	65	FC100121.....	34, 96
805761303.....	66	809771308.....	65	FC100123.....	97
805761304.....	66	809861601.....	65	FC100130.....	100
805761305.....	66	809861602.....	65	FC100132.....	101
805761307.....	66	809861603.....	65	FC100134.....	100 – 101
805761308.....	66	809861604.....	65	FC100140.....	34, 96
805771301.....	66	809861605.....	65	FC100142.....	34, 96
805771302.....	66	809861607.....	65	FC100144.....	100 – 101
805771303.....	66	809861608.....	65	FC100150.....	98
805771304.....	66	809871601.....	65	FC100152.....	99
805771305.....	66	809871602.....	65	FC100160.....	98
805771307.....	66	809871603.....	65	FC100202.....	44, 103
805771308.....	66	809871604.....	65	FC100204.....	44, 102
805861601.....	66	809871605.....	65	FC100314L.....	93
805861602.....	66	809871607.....	65	FC100314R.....	93
805861603.....	66	809871608.....	65	FC100315L.....	93
805861604.....	66	809961601.....	65	FC100315R.....	93
805861605.....	66	809961602.....	65	FC100316L.....	93
805861607.....	66	809961603.....	65	FC100316R.....	93
805861608.....	66	809961604.....	65	FC100317L.....	93
805871601.....	66	809961605.....	65	FC100317R.....	93
805871602.....	66	809961607.....	65	FC100318L.....	93
805871603.....	66	809961608.....	65	FC100318R.....	93
805871604.....	66	809971601.....	65	FC100319L.....	93
805871605.....	66	809971602.....	65	FC100319R.....	93
805871607.....	66	809971603.....	65	FC100320L.....	93
805871608.....	66	809971604.....	65	FC100320R.....	93
805961601.....	66	809971605.....	65	FC100321L.....	93
805961602.....	66	809971607.....	65	FC100321R.....	93
805961603.....	66	809971608.....	65	FC100500.....	80, 95
805961604.....	66	DS001L.....	28	FC100501.....	80, 95
805961605.....	66	DS001S.....	28	FC100502.....	80, 95
805961607.....	66	DS001SC.....	29	FC100503.....	80, 95
805961608.....	66	DS001SS.....	29	FC100504.....	80, 95
805971601.....	66	DS002L.....	28	FC100504.....	101
805971602.....	66	DS002S.....	28	FC100505.....	80, 95, 97
805971603.....	66	DS002SC.....	29	FC100510.....	80, 95
805971604.....	66	DS002SS.....	29	MS001SS.....	30, 101
805971605.....	66	DS003L.....	28		
805971607.....	66	DS003S.....	28		
805971608.....	66	DS003SC.....	29		
809761301.....	65	DS003SS.....	29		
809761302.....	65	DS004L.....	28		
809761303.....	65	DS004S.....	28		
809761304.....	65	DS004SS.....	29		
809761305.....	65	FC100104.....	94		
809761307.....	65	FC100106.....	96, 101		
809761308.....	65	FC100108.....	94, 96, 101		
809771301.....	65	FC100110.....	94		
809771302.....	65	FC100114.....	99		



*Fillauer*<sup>®</sup>



[www.fillauer.com](http://www.fillauer.com)

**Fillauer LLC**

2710 Amnicola Highway  
Chattanooga, TN 37406  
423.624.0946  
[info@fillauer.com](mailto:info@fillauer.com)

© 2018 Fillauer LLC  
CAT019B/08-14-17/03-16-20